

Operation & Maintenance Manual



Power SpreaderTM **Salt, Sand, and Fertilizer Spreader** For **Skid Steer Loaders**



Read this Manual Before Use

TABLE OF CONTENTS

SAFETY	3-4
SERIAL NUMBER/DECAL LOCATION	5-6
USERS MOUNTING INSTRUCTIONS	7-8
OPERATING INSTRUCTIONS	9-11
ROUTINE MAINTENANCE	12
NOTES	13
PARTS INFORMATION	14-16
GENERAL SPECIFICATIONS	17
BOLT TORQUE INFORMATION	18
WARRANTY	19

REFERENCE INFORMATION

Write the serial number for your attachment in the spaces below. Always refer to this serial number when calling for service or parts.

Serial Number....._____

YOUR ATTACHMENTS DEALER

ADDRESS:

PHONE:

CONTACT:

NOTE: *Quick Attach Attachments LLC reserves the right to make improvements in design or changes in specifications at any time without notice and without incurring any obligations to install them on units previously sold.*

SAFETY

DO NOT use or perform maintenance on this machine until this manual has been read and understood. In addition, read the Operation and Maintenance Manual(s) pertaining to the attachment and the attachment carrier (“Loader”).

The user is responsible for inspecting the machine daily, and for having parts repaired or replaced when continued use of the machine would cause damage, excessive wear to other parts or make the machine unsafe for continued operation.

If an operating procedure, tool device, maintenance or work method not specifically recommended is used, you must satisfy yourself that it is safe for you and others. You must also ensure that the attachment will not be damaged or made unsafe by the procedures you choose.

Quick Attach Attachments LLC cannot anticipate every possible circumstance that might involve potential hazard. The safety messages found in this manual and on the machine are therefore not all inclusive.

The signal words **CAUTION**, **WARNING**, or **DANGER** are used to indicate hazards.

⚠ CAUTION Indicates a potentially hazardous situation which, if not avoided, may result in minor or moderate injury.

⚠ WARNING Indicates a potentially hazardous situation which, if not avoided, could result in death or serious injury.

⚠ DANGER Indicates a potentially hazardous situation which, if not avoided, will result in death or serious injury.

The word **IMPORTANT** is used in the text when immediate damage will occur due to improper technique or operation.

The word **NOTE** is used to convey information that is out of context with the manual text; special information such as specifications, techniques, reference information, and other information of a supplementary nature.

Improper operation can cause serious injury or death.

Pre-operation

- This machine is designed for spreading dry free flowing material only. **NEVER** use this machine for any other purpose.
- Read the operator's manual for the "Skid Steer Loader." **NEVER** allow untrained people to operate.
- Operating instructions must be given to everyone before operating this attachment and at least once a year thereafter in accordance with OSHA regulations.
- **NEVER** exceed the maximum recommended input power or speed specifications for the attachment. Over-powering or over-speeding the attachment may cause personal injury and/or machine damage.
- Keep all shields, guards, and covers in place.
- Do not modify equipment or add attachments that are not approved by Quick Attach Attachments LLC.
- Use adequate safety warning lights and devices as required by local regulations. Obey all local laws and regulations regarding machine operation on public property.

Operation

- Always wear eye protection that meets z87.1 or use with a loader enclosure that provides similar protection.
- Hydraulic connections may be hot after use. Use gloves if connecting or disconnecting after use.
- Check and be sure all operating controls are in neutral before starting the engine.
- Keep people away from loader, attachment and discharge when in use. This attachment has rotating parts. **NEVER** direct discharge toward people.
- **NEVER** operate near embankments or terrain that is so steep that rollover could occur.

Operation (continued)

- Always stay in the operator position when using the attachment.
- Before leaving the operators position, disengage hydraulic drive, lower the attachment to rest flat on the ground, stop engine, set park brake, and wait for all motion to stop.
- **NEVER** place hands in the discharge area or clear debris while the engine is running.

Avoid High Pressure Fluids Hazard



- Escaping fluid under pressure can penetrate the skin causing serious injury.
- Avoid the hazard by relieving the pressure before disconnecting hydraulic lines.
- Use a piece of paper or cardboard, NOT BODY PARTS, to check for suspected leaks. Wear protective gloves and safety glasses or goggles when servicing or performing maintenance on hydraulic systems.
- If an accident occurs, see a doctor immediately. Any fluid injected into the skin must be surgically removed within a few hours or gangrene may result.

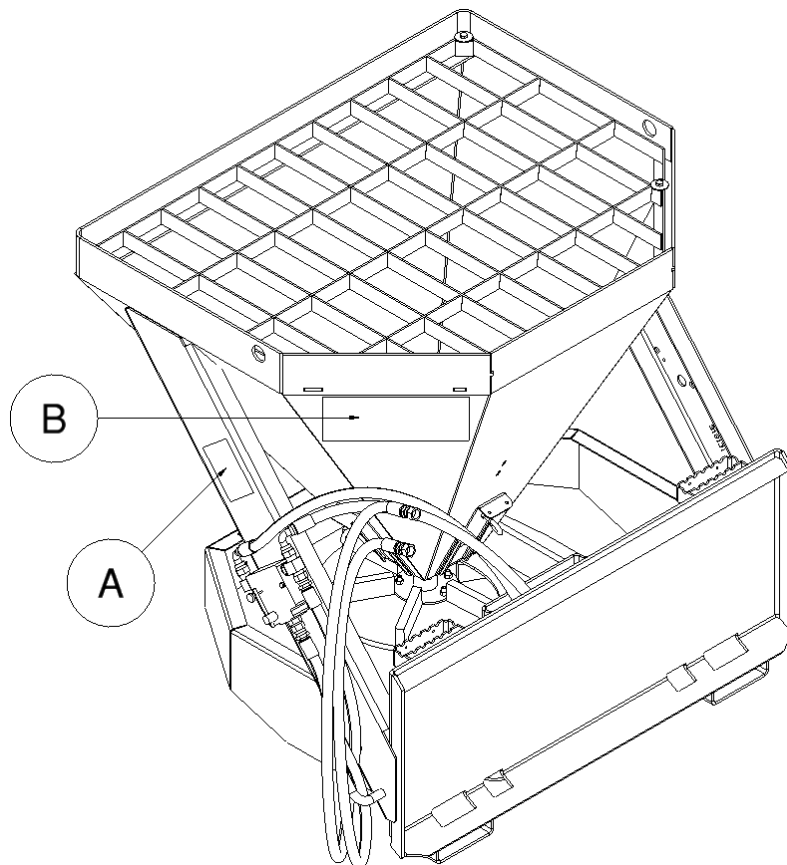
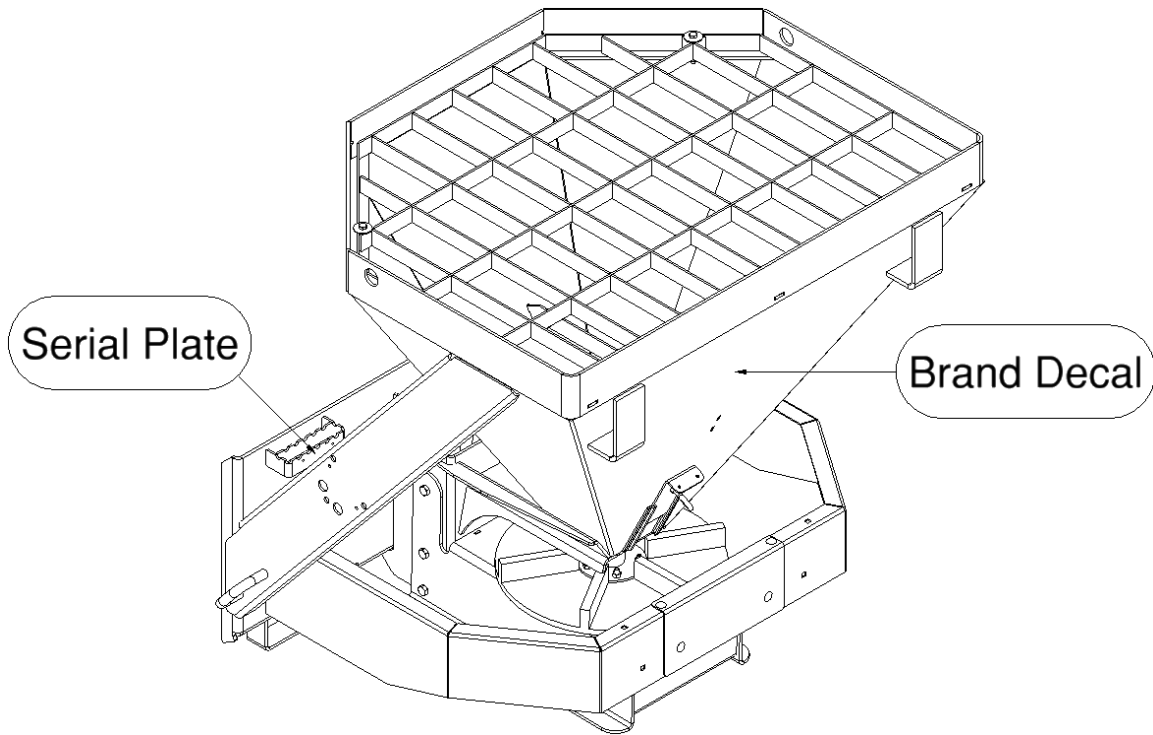
Maintenance

- **NEVER** make adjustments, lubricate, clean, or perform any service on the machine while it is in operation.
- Make sure the attachment is serviced on a daily basis. Improper maintenance can cause serious injury or death in addition to damage to the attachment and/or your equipment.

SERIAL NUMBER AND SAFETY DECAL LOCATIONS

Serial Number Location:

It is important to refer to the serial number of the attachment when making repairs or ordering parts. Early or later models (identification made by serial number) may use different parts, or it may be necessary to use different procedures in doing a specific operation.



SERIAL NUMBER AND SAFETY DECAL LOCATIONS

(A)



Large Brand Decal

Location: Front of hopper, centered

Quantity: 1

Part number: 200001

Location: On left mount plate

Quantity: 1

(B)



Part number: 318161

Location: On left rear panel of hopper

Quantity: 1

Safety Decals Locations:

The locations of the safety decals are shown. If these decals are missing, damaged, or painted over they must be replaced. Call Quick Attach Attachments LLC (320-759-1551) for replacement decals.

USER'S MOUNTING INSTRUCTIONS

After initial set-up assembly is complete, use the following procedure to mount the attachment to the loader for user operation.

⚠ WARNING Coupler wedges or pins must extend through the holes in attachment. Levers must be fully down and locked. Failure to secure wedges or pins can allow attachment to come off and cause injury or death.



1. The flow control must be mounted as shown with the nuts and bolts provided.

2. Use the step, safety treads, and grab handles to get on and off the loader and attachment.

3. Sitting in the operator's seat, lower the seat bar and fasten the seat belt.



4. Drive the loader to the rear of the attachment.

5. Put the loader quick attach coupler into the attachment mounting bracket.

6. Tilt the loader coupler backward a small amount until it is fully engaged in the attachment mounting bracket.



7. Stop the engine and engage the park brake.

8. Secure the coupler locking mechanism that attaches the attachment to the loader.

USER'S MOUNTING INSTRUCTIONS

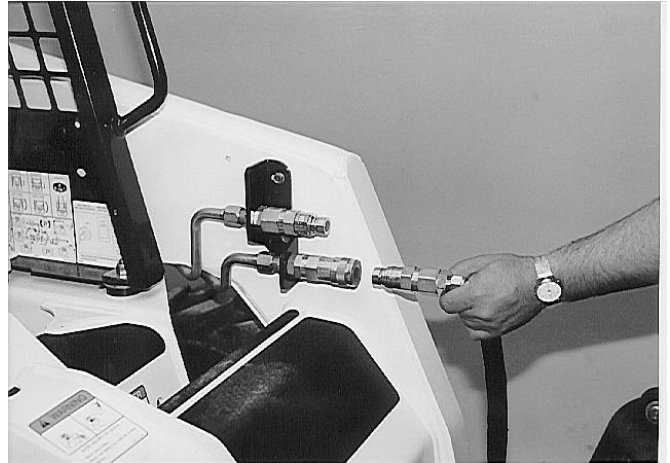
9. Connect the hydraulic quick couplers from the attachment to the loader.

IMPORTANT: Make sure the quick couplers are fully engaged. If the quick couplers do not fully engage, check to see that the couplers are the same size and brand. Do not force the quick couplers together.

IMPORTANT: Wipe the ends of the hydraulic quick couplers (both lead and loader) with a rag to remove any possible contamination. Contamination can cause hydraulic components to fail and is not covered under warranty.

NOTE: See the loader's operator's manual.

NOTE: Attachment is shipped with 12FJX (1-1/16" Female JIC Swivel) fittings on the ends of the lead hoses.



10. Make sure the hoses are properly routed to fit your specific loader. If the hoses are not routed correctly, hoses may get pinched or rub on tires. Be sure to check the hose routing through the full range of intended motion of the attachment before operating it.

More than one routing may be acceptable depending on the loader. Pick the routing that best suits your loader.

IMPORTANT: Proper hose routing is the responsibility of the owner and/or operator. Pinched or stretched hoses are not covered under warranty.

Mounting is now complete and you are ready to use the attachment. Use reverse order of above instructions to dismount the attachment from the loader.

OPERATING INSTRUCTIONS



Filling the Hopper

The hopper can be filled by manually pouring material from bags. If the loose material is kept in a pile, the loader can be used to scoop material into the hopper using the following steps:

1. If the spreader is equipped with a sidewalk kit, remove it before attempting to load the hopper. The hopper can be loaded manually with a sidewalk kit equipped.
2. With the operator in the loader seat, seat belt fastened, and seat bar lowered (if so equipped), start the engine.
3. Lift the boom and roll out the attachment coupler until the cutting edge of the hopper is engaged with the ground.
4. Drive the hopper into the material pile while rolling the attachment coupler back to fill the hopper.



⚠ WARNING To avoid injury or death due to tipping, carry loaded hopper as low as possible while moving to spreading location.

OPERATING INSTRUCTIONS

Spreading Material

⚠ WARNING This attachment can throw loose material up to 40 feet. Keep people far enough away to avoid being struck.

IMPORTANT: Spreading material that contains rocks larger than 3/8" diameter may result in damage to the attachment.

1. With the operator in the loader seat, seat belt fastened, and seat bar lowered (if so equipped), start the engine.

⚠ WARNING To avoid injury or death due to tipping, carry loaded hopper as low as possible while moving to spreading location.

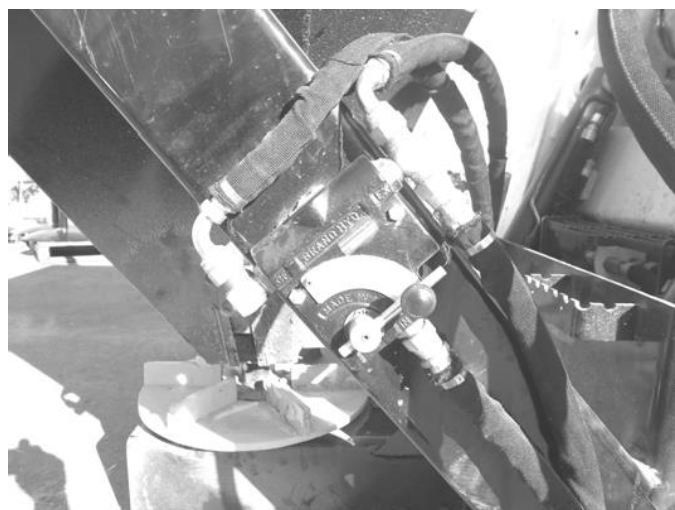
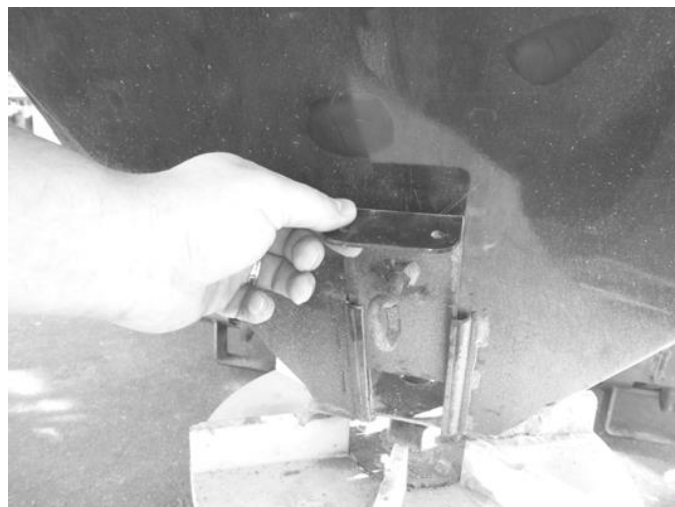
2. Raise the loader arms so the spreading disc is 18-24 inches off of the ground. Use the tilt cylinders on the loader to keep the spreading disc level for optimum performance.
3. Activate the hydraulics on the loader to spread material. The spreader disc should rotate clockwise when viewed from above.
4. Depending on the material being spread, it may be necessary to experiment with the gate settings until a suitable spread pattern is found.

Adjusting Spreader Flow Control

The flow control unit on the side of the spreader can be used to adjust the spreading width. The control range is marked from 1 to 10, with 10 being full flow.

Depending on the material and material conditions, the flow control can be used to accurately meter spread as narrow as 4 feet.

The three gates on the hopper can be adjusted by loosening the locking screw, sliding the gate to the desired position, and retightening the locking screw.



NOTE: If the material being spread is not dry and free flowing, it may be necessary to adjust/close the gate on the front of the hopper due to material from the other two gates sticking to the spreader disc.

NOTE: The agitator/spinner may not function properly if the flow control is turned down too far for the material or material conditions. To avoid stalling the spreader motor, adjust the flow control for higher flow.

OPERATING INSTRUCTIONS



Sidewalk Kit Installation

Place one side of the sidewalk skirt on the mounting tabs, then place the other side in the same manner.

Removal is the reverse of installation.

IMPORTANT: The sidewalk kit should be removed before filling the hopper if the hopper is to be filled by scooping from a material pile.



Adjusting the Sidewalk Kit Width

The sidewalk skirt can be adjusted for either 32" spread width or 40" spread width.

1. Remove sidewalk skirt from spreader.
2. Remove four 3/8" lock nuts, flat washers, and carriage bolts from the front section of the sidewalk skirt.
3. Move the sidewalk skirt sections to the desired width.
4. Reinstall all bolts, flat washers, and lock nuts.

ROUTINE MAINTENANCE

⚠ WARNING Lower the attachment to rest flat on the ground, shut down the engine, relieve the hydraulic pressure to the attachment, wait for all motion to stop, and set the park brake before leaving the operator's seat to perform service of any kind.

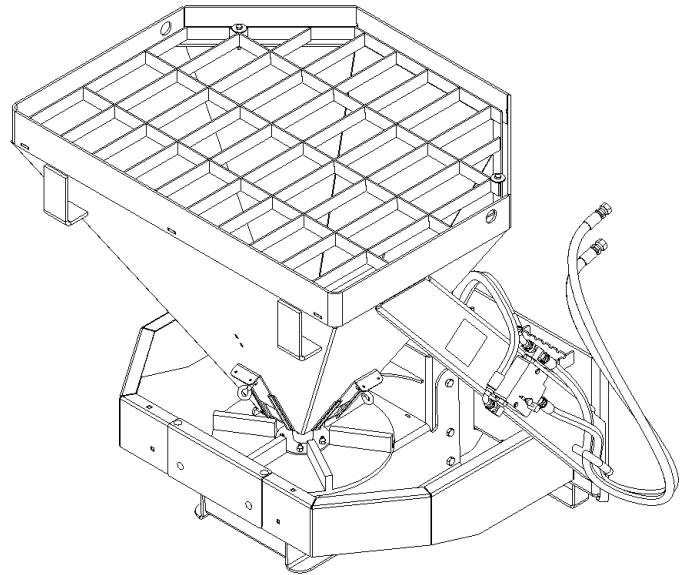
It is the operator's responsibility to make daily inspections of the loader and attachment for damage, loose bolts, fluid leaks, or anything else that could cause a potential service or safety problem. Preventive maintenance is the easiest and least expensive type of maintenance.

IMPORTANT: Bolts can loosen after initial usage. Check all bolts after first hour of operation.

Storage

At the end of the season or if the spreader will be idle for an extended time:

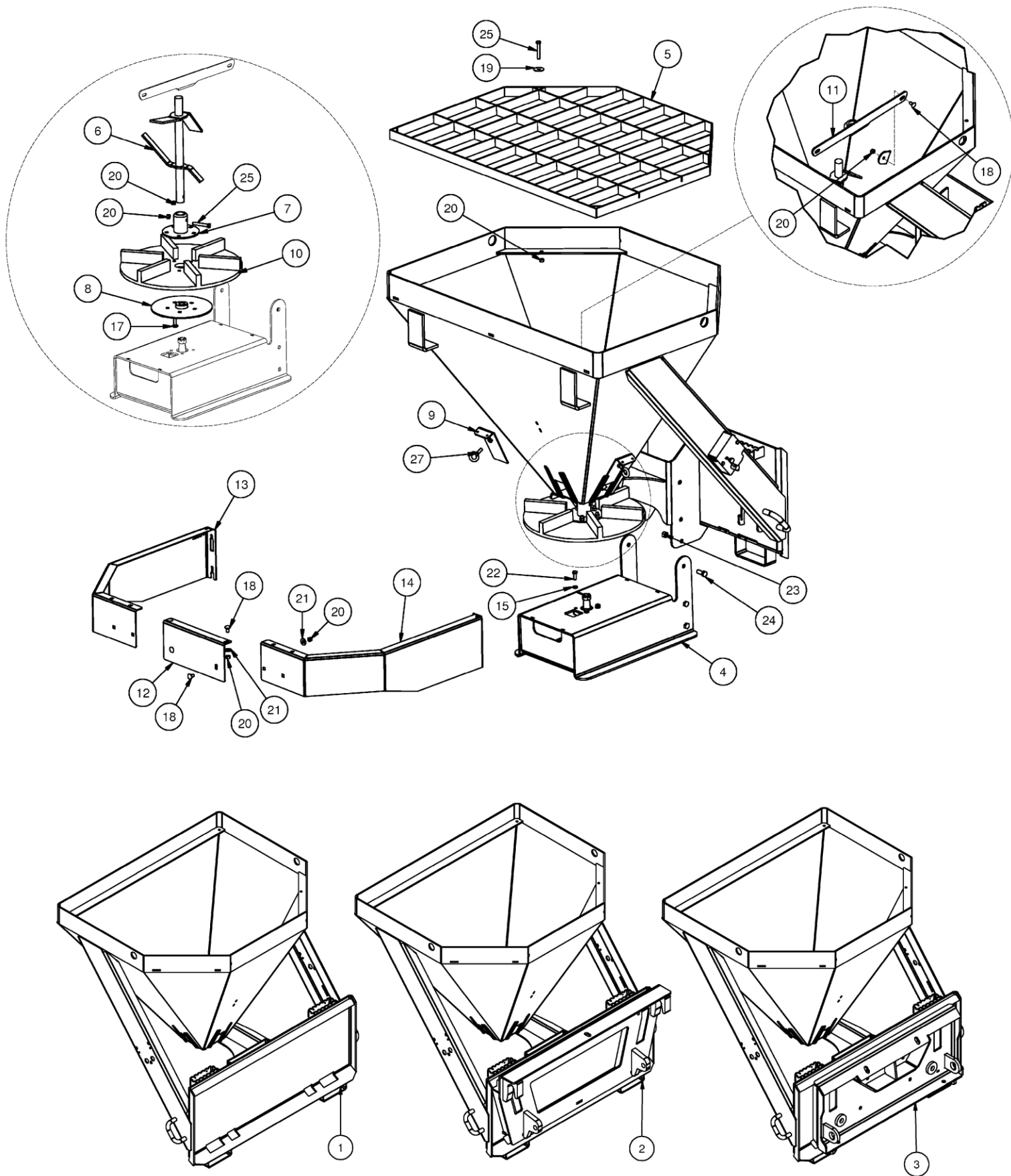
1. Thoroughly wash the spreader.
2. Make sure the hopper, agitator, spreader disc, and material flow gates are clean and free of debris.
3. Dry entire machine thoroughly.
4. Lubricate the material flow gate retaining screws and gate slides with light oil.
5. Store the spreader in a dry shelter.



PARTS INFORMATION

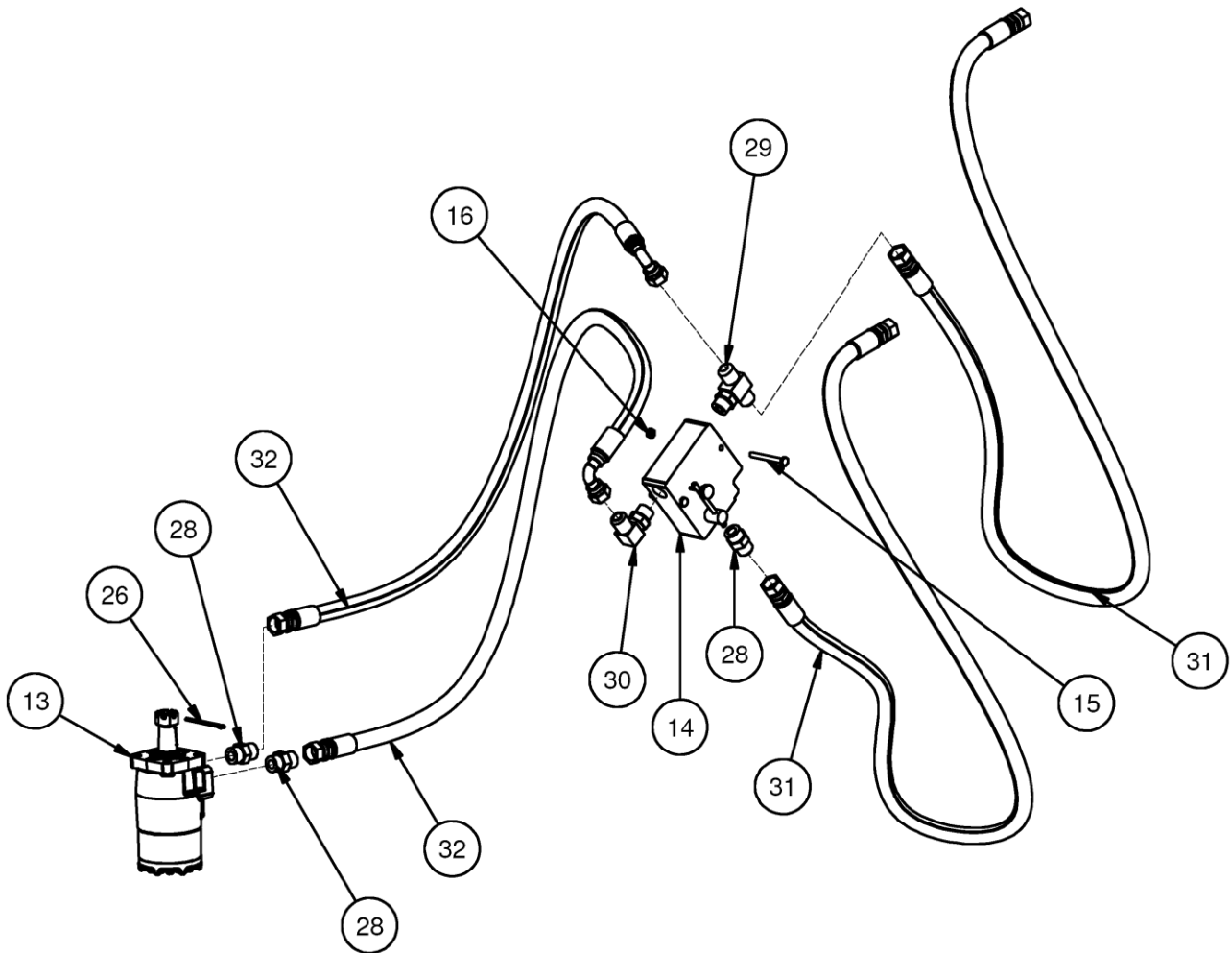
ITEM	QTY	PART NO.	DESCRIPTION	STOCK NO.
1	1	318100	HOPPER W/A	
2	1	422131	HOPPER EURO W/A	EURO MOUNT
3	1	422195	HOPPER MULTIHOOG W/A	MULTIHOOG MOUNT ONLY
4	1	318101	MOTOR MOUNT W/A	
5	1	318102	GRATE W/A	
6	1	318103	AGITATOR W/A	
7	1	318104	AGITATOR DRIVE W/A	
8	1	318105	DRIVE HUB W/A	
9	3	318106	MATERIAL GATE W/A	
10	1	318111	SPINNER POLY	
11	1	318165	BRKT AGITATOR W/A	
12	1	318166	SHIELD SIDEWALK CENTER PAINTED	(318113 UNPNT) SIDEWALK PKG
13	1	318167	SHIELD SIDEWALK RH W/A	SIDEWALK PKG
14	1	318168	SHIELD SIDEWALK LH W/A	SIDEWALK PKG
15	4	103880	WASHER LOCK	3/8"
17	5	21819	BOLT CARRIAGE	3/8 X 1-1/2 NC GR 5
18	2	21816	BOLT CARRIAGE	3/8 X 3/4 NC GR 5 Z
	4	21816	BOLT CARRIAGE 3/8 X 3/4 NC GR 5 Z	SIDEWALK PKG
19	4	33220	WASHER FENDER	3/8 X 1 1/2
20	12	37212	NUT REV LOCK	3/8 NC
	4	37212	NUT REV LOCK 3/8 NC	SIDEWALK PKG
21	4	33008	WASHER FLAT 3/8 Z	SIDEWALK PKG
22	4	103116	BOLT HEX	3/8 X 1 NC GR 5
23	6	37214	NUT REV LOCK	1/2 NC
24	6	13207	BOLT HEX	1/2 X 1-1/4 NC GR 5
25	5	13113	BOLT HEX	3/8 X 2-1/2 NC GR 5
27	3	42234	BOLT EYE 3/8 X 1.0	

PARTS INFORMATION



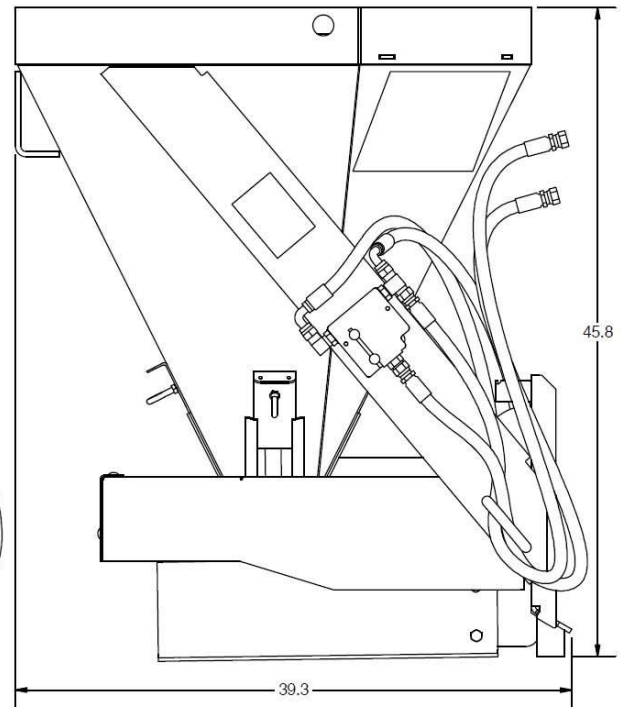
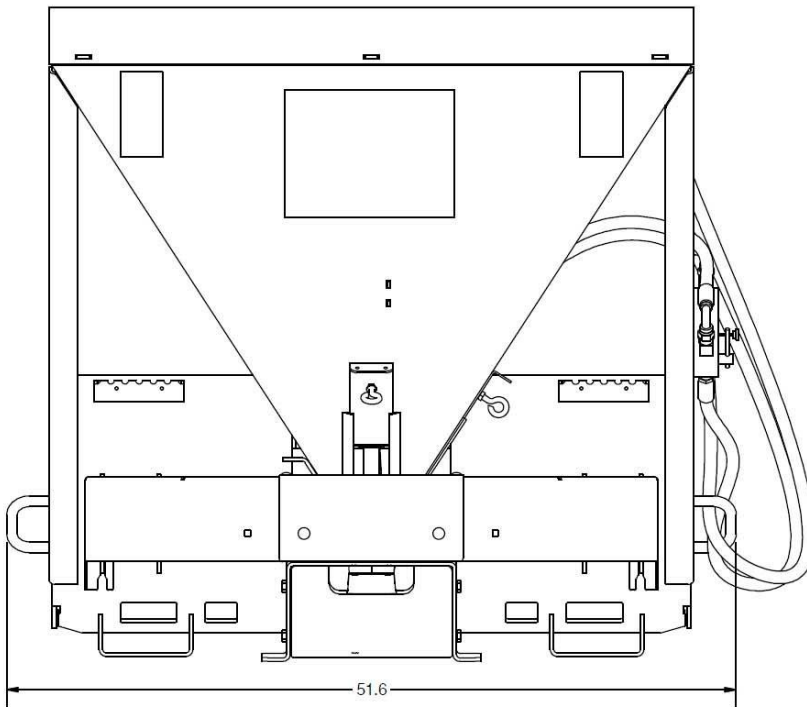
PARTS INFORMATION

ITEM	QTY	PART NO.	DESCRIPTION	STOCK NO.
13	1	318110	MOTOR 11.9 CID	
	1	100540	KEY WOODRUFF 1/4 X 1	COMES WITH MOTOR
14	1	313311	VALVE FLOW CONTROL	
15	2	13013	BOLT HEX	1/4 X 2-1/2 NC GR 5
16	2	37210	NUT REV LOCK	1/4 NC
26	1	65082	PIN COTTER 1/8 X 2-1/2	
28	3	201852	ADPT STR 10MB-10MJ	
29	1	300235	ADPT TEE 10MJ-10MJ-10MB	
30	1	320144	ADPT ELB 10MB-10MJ-90	
31	2	318156	HOSE 1/2 X 72 10FJX-12FJX	LEAD/RETURN
32	2	318157	HOSE 1/2 X 55 10JFX-10FJX90	MOTOR



GENERAL SPECIFICATIONS

Model	Spreader
Spreading Width w/ Flow Control	4-35 feet
Spreading Width w/ Sidewalk Kit	32" or 40"
Hopper Capacity	13.5 cubic feet
Operating Weight (Empty)	500 lbs.
Flow Rate	10-20 GPM



All dimensions are in INCHES.

BOLT TORQUE INFORMATION

Torque-Tension Relationships for SAE J429 Grade Bolts

Nominal Thread Size	SAE J429 Grade 2			SAE J429 Grade 5			SAE J429 Grade 8		
	Clamp Load (lbs)	Tightening Torque		Clamp Load (lbs)	Tightening Torque		Clamp Load (lbs)	Tightening Torque	
		K = .15	K = .20		K = .15	K = .20		K = .15	K = .20
Unified Coarse Thread Series									
1/4-20	1,300	49 in-lbs	65 in-lbs	2,000	75 in-lbs	100 in-lbs	2,850	107 in-lbs	143 in-lbs
5/16-18	2,150	101	134	3,350	157	210	4,700	220	305
3/8-16	3,200	15 ft-lbs	20 ft-lbs	4,950	23 ft-lbs	31 ft-lbs	6,950	32.5 ft-lbs	44 ft-lbs
7/16-14	4,400	24	30	6,800	37	50	9,600	53	70
1/2-13	5,850	36.5	49	9,050	57	75	12,800	80	107
9/16-12	7,500	53	70	11,600	82	109	16,400	115	154
5/8-11	9,300	73	97	14,500	113	151	20,300	159	211
3/4-10	13,800	129	173	21,300	200	266	30,100	282	376
7/8-9	11,425	125	166	29,435	321	430	41,550	454	606
1-8	15,000	187.5	250	38,600	482.5	640	54,540	680	900
Unified Fine Thread Series									
1/4-28	1,500	55 in-lbs	75 in-lbs	2,300	85 in-lbs	115 in-lbs	3,250	120 in-lbs	163 in-lbs
5/16-24	2,400	112	150	3,700	173	230	5,200	245	325
3/8-24	3,600	17 ft-lbs	22.5 ft-lbs	5,600	26 ft-lbs	35 ft-lbs	7,900	37 ft-lbs	50 ft-lbs
7/16-20	4,900	27	36	7,550	42	55	10,700	59	78
1/2-20	6,600	41	55	10,200	64	85	14,400	90	120
9/16-18	8,400	59	79	13,000	92	122	18,300	129	172
5/8-18	10,600	83	110	16,300	128	170	23,000	180	240
3/4-16	15,400	144	193	23,800	223	298	33,600	315	420
7/8-14	12,610	138	184	32,480	355	473	45,855	500	668
1-12	16,410	205	273	42,270	528	704	59,670	745	995

Clamp load estimated as 75% of proof load for specified bolts.

Torque values for 1/4 and 5/16 inch series are in inch-pounds. All other torque values are in foot-pounds.

Torque values calculated from formula $T = KDF$

where: K=0.15 for "lubricated" conditions

K=0.20 for "dry" conditions



LIMITED WARRANTY

Quick Attach Attachments LLC warrants each new machine manufactured by us to be free from defects in material and workmanship for a period of twelve (12) months from date of delivery to the original purchaser.

Our obligation under this warranty is to replace free of charge, at our factory or Direct Outlet locations, any part proven defective within the stated warranty time limit.

All parts must be returned freight prepaid and adequately packaged to prevent damage in transit.

This warranty does not cover:

1. New products which have been operated in excess of rated capacities or negligence
2. Misuse, abuse, accidents or damage due to improperly routed hoses
3. Machines which have been altered, modified or repaired in any manner not authorized by our company
4. Previously owned equipment
5. Any ground engaging tools in which natural wear is involved, i.e. tooth tips, cutting teeth, etc
6. Normal maintenance
7. Fork tines
8. Hydraulic motors that have been disassembled in any manner

In no event will the Sales Representative, Direct Outlet, Quick Attach Attachments LLC, or any other company affiliated with it or them be liable for incidental or consequential damages or injuries, including but not limited to the loss of profit, rental or substitute equipment or other commercial loss. Purchaser's sole and exclusive remedy being as provided here in above.

Quick Attach Attachments LLC must receive immediate notification of defect and no allowance will be made for repairs without our consent or approval.

This warranty is in lieu of all other warranties, express or implied by law or otherwise, and there is no warranty of merchantability or fitness purpose.

No agent, employee, or representative of Quick Attach Attachments LLC has any authority to bind Quick Attach Attachments LLC to any warranty except as specifically set forth herein. Any of these limitations excluded by local law shall be deemed deleted from this warranty; all other terms apply.

This warranty may not be enlarged or modified in any manner except in writing signed by an executive officer of Quick Attach Attachments LLC to improve its products whenever it is possible and practical to do so. Quick Attach Attachments LLC reserves the right to make changes and or add improvements at any time without incurring any obligation to make such changes or add such improvements to products previously sold.

Quick Attach Attachments LLC
P.O. Box 128 Alexandria, MN 56308
Phone (320) 759-1551 Fax (320) 759-1590



P/N 313262
Quick Attach Attachments LLC

Date Printed: 1/15/2019

Printed in U.S.A.