

MEGA MOWER X

Operator's Manual

Maintenance & Parts Information



Read this Manual Before Use

TABLE OF CONTENTS

SAFETY	3-4
DECAL INFORMATION	5-7
MOUNTING INSTRUCTIONS	8-9
OPERATING INSTRUCTIONS	10-11
MAINTENANCE	12-14
TORQUE INFORMATION	15
PARTS INFORMATION	16-20
GENERAL SPECS	21
NOTES	22
WARRANTY	23

NOTE: Write your serial number for your attachment in the spaces below. Always refer to this serial number when calling for services parts.

Serial Number

Attachment Dealer

Address

Phone Number

Contact

NOTE: Quick Attach LLC reserves the right to make improvements in design or changes in specifications at any time without notice and without incurring any obligations to install them on units previously sold.

SAFETY

DO NOT use or perform maintenance on this machine until this manual has been read and understood. In addition, read the Operation and Maintenance Manual(s) pertaining to the attachment and the attachment carrier (“Loader”).

The user is responsible for inspecting the machine daily, and for having parts repaired or replaced when continued use of the machine would cause damage, excessive wear to other parts or make the machine unsafe for continued operation.

If an operating procedure, tool device, maintenance or work method not specifically recommended is used; you must satisfy yourself that it is safe for you and others. You must also ensure that the attachment will not be damaged or made unsafe by the procedures you choose.

Quick Attach LLC cannot anticipate every possible circumstance that might involve potential hazard. The safety messages found in this manual and on the machine are therefore not all inclusive

The signal words **CAUTION**, **WARNING**, or **DANGER** are used to indicate hazards.

CAUTION

Indicates a potentially hazardous situation which, if not avoided, may result in minor or moderate injury.

WARNING

Indicates a potentially hazardous situation which, if not avoided, could result in death or serious injury.

DANGER

Indicates a potentially hazardous situation which, if not avoided, will result in death or serious injury.

The word **IMPORTANT** is used in the text when immediate damage will occur due to improper technique or operation.

The word **NOTE** is used to convey information that is out of context with the manual text; special information such as specifications, techniques, reference information, and other information of a supplementary nature.

SAFETY

Improper operation can cause serious injury or death.

PRE-OPERATION

- This attachment is designed for mowing grass, brush, and small trees only. **NEVER** use this attachment for purposes other than intended.
- Read the operator's manual for the "Skid Steer Loader". **NEVER** allow untrained people to operate.
- Operating instructions must be given to everyone before operating this machine and at least once a year thereafter in accordance with OSHA regulations.
- **NEVER** exceed the maximum recommended input power or speed specifications for the attachment. Overpowering or over-speeding the attachment may cause personal injury and/or machine damage.
- Keep all shields, guards, and covers in place.
- Do not modify equipment or add attachments that are not approved by Quick Attach LLC.
- Use adequate safety warning lights and devices as required by local regulations. Obey all local laws and regulations regarding machine operation on public property.

OPERATION

- Always wear eye protection that meets z87.1 or use with a loader enclosure that provides similar protection.
- Hydraulic connections may be hot after use. Use gloves if connecting or disconnecting after use.
- Check and be sure all operating controls are in neutral before starting the engine.
- Keep people away from loader and attachment when in use. This attachment send objects flying and has rotating parts. **NEVER** direct discharge toward people - rocks and debris can be thrown hundreds of feet.

OPERATION (continued)

- **NEVER** operate near embankments or terrain that is so steep that rollover could occur.
- Always stay in the operator position when using the attachment.
- Before leaving the operator position, disengage hydraulic drive, lower the attachment to rest flat on the ground, stop engine, set park brake, and wait for all motion to stop.
- **NEVER** clear debris while engine is running.

AVOID HIGH PRESSURE FLUIDS HAZARD

- Escaping fluid under pressure can penetrate the skin causing serious injury.
- Avoid the hazard by relieving the pressure before disconnecting hydraulic lines.
- Use a piece of paper or cardboard, **NOT BODY PARTS**, to check for suspected leaks. Wear protective gloves and safety glasses or goggles when servicing or performing maintenance on hydraulic systems.
- If an accident occurs, see a doctor immediately. Any fluid injected into the skin must be surgically removed within a few hours or gangrene may result.

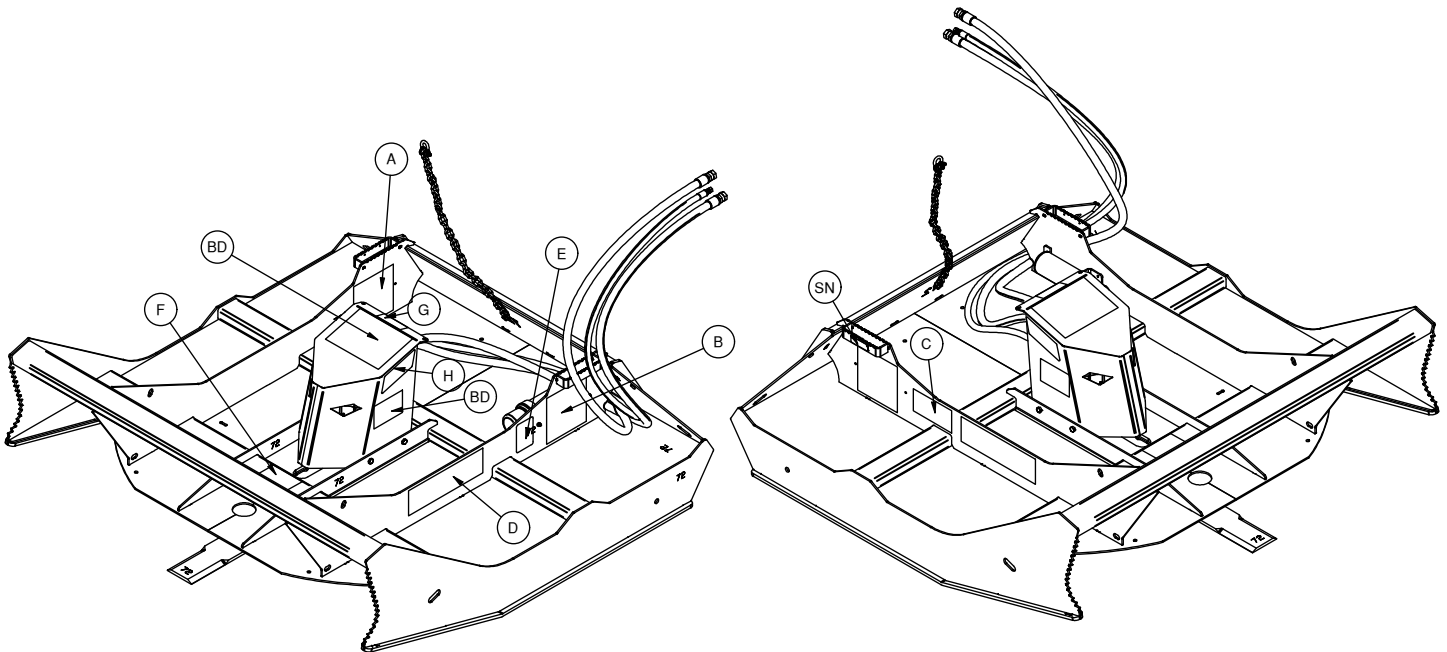
MAINTENANCE

- **NEVER** make adjustments, lubricate, clean, or perform any service on the machine while it is in operation.
- Make sure the attachment is serviced on a daily basis. Improper maintenance can cause serious injury or death in addition to damage to the attachment and/or your equipment.

DECAL INFORMATION

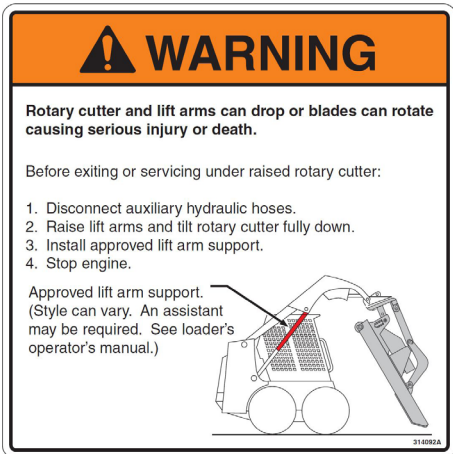
Serial Number Location:

It is important to refer to the serial number of your attachment when making repairs or ordering parts. Early or later models (identification made by serial number) may use different parts, or it may be necessary to use different procedures in doing a specific operation. Please see below for Serial Plate location.



DECAL INFORMATION

A



Part number: 314092
Location: Inside of RH deck rib
Quantity: 1

B



Part number: 314094
Location: Outsides of deck ribs (L/R)
Quantity: 2

C



Part number: 314158
Location: Outside of RH deck rib
Quantity: 1

D



Part number: 400493
Location: Outsides of deck ribs (L/R)
Quantity: 2

G



Part number: 341403
Location: Back of cover
Quantity: 1 (only on std flow)

OR



Part number: 341404
Location: Back of cover
Quantity: 1 (only on high flow)

Safety Decals Locations:

The locations of the safety decals are shown. If these decals are missing, damaged, or painted over they must be replaced. Call Quick Attach LLC (320-759-1551) for replacement decals.

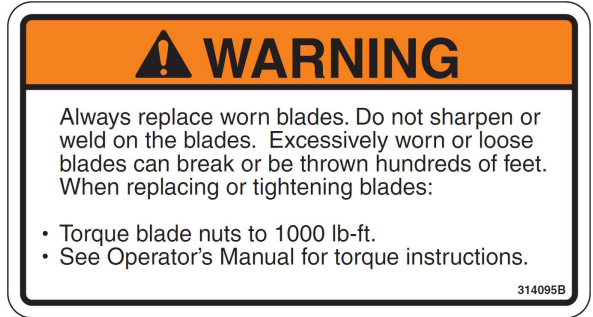
DECAL INFORMATION

E



Part number: 200001
Location: Outside of LH deck rib
Quantity: 1

F



Part number: 341095
Location: On tube behind blade bolt access hole
Quantity: 1

H



Part number: 341407 & 341408
Location: Both sides of motor shield above BD
Quantity: 1 (only on high flow)

BD



Brand Decal: 1 Large 2 Small
Location: Both Ribs and front of motor shield
Quantity: 3

Safety Decals Locations:

The locations of the safety decals are shown. If these decals are missing, damaged, or painted over they must be replaced. Call Quick Attach LLC (320-759-1551) for replacement decals.

MOUNTING INSTRUCTIONS

After the initial set-up assembly is completed use the following procedure to mount the attachment to the loader for user operation.

⚠ WARNING

Coupler wedges or pins must extend through holes in attachment. Levers must be fully down and locked. Failure to secure wedges or pins can allow the attachment to come off and cause injury or death.

1. Use the step, safety treads, and grab handles to get on and off the loader and attachment.
 2. Sitting in the operator's seat, lower seat bar and fasten the seat belt.
 3. Drive the loader to the rear of the attachment. Put the loader quick attach coupler into the attachment mounting bracket.
 4. Tilt the loader coupler backward a small amount until it is fully engaged in the brush mower mounting bracket.
 5. If you have manual levers, stop the engine, and engage the park brake. If not, proceed to step 6.
 6. Secure the coupler locking mechanism that attaches the attachment to the loader.
 7. Connect the hydraulic quick couplers from the attachment to the loader.
 8. Route the lift limit chain over the boom cross-member and down through a hole in the front frame. Then latch the end of the chain back to itself allowing for some slack. Make sure the chain will not contact the rotating blades when mowing in reverse.
- IMPORTANT:** You must connect the small, third hose which is the case drain hose, or you will permanently damage the hydraulic motor.
- NOTE:** See the loader's operator's manual for further instructions.
- NOTE:** Attachment is shipped with 12FJX (1-1/16" Female JIC swivel) fittings on the ends of the lead hoses and 8FJX (3/4" Female JIC swivel) on the case drain hose.

⚠ WARNING Lift limit chain must be installed to limit the total lift height of the attachment to less than 12 inches (300 mm). Failure to install the lift limit chain can increase the risk of dangerous flying debris being thrown at the cab causing serious injury or death.

MOUNTING INSTRUCTIONS

IMPORTANT: Wipe the ends of the hydraulic quick couplers (both lead and loader) with a rag to remove any possible contamination. Contamination can cause hydraulic components to fail and is not covered under warranty.

IMPORTANT: Make sure the quick couplers are fully engaged. If the quick couplers do not fully engage, check to see that the couplers are the same size. Do not force the quick couplers together.

9. Make sure the hoses are properly routed to fit your specific loader. If the hoses are not routed correctly, hoses may get pinched or rub on tires or tracks. Be sure to check the hose routing through the full range of intended motion of the attachment before operating it. More than one routing may be acceptable depending on the loader. Pick the routing that best suits your loader.

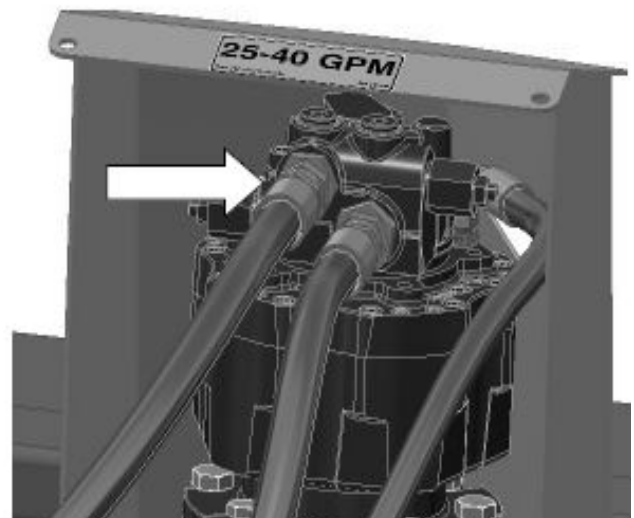
IMPORTANT: The hoses are not intended to be long enough to reach when fully “dumping” the deck. Always disconnect the lead hoses before rolling the deck fully forward.

IMPORTANT: Proper hose routing is the responsibility of the owner and/or operator. Pinched or stretched hoses are not covered under warranty.

10. Mounting is now complete and you are ready to use the attachment. Use reverse order of above instructions to dismount the attachment from the loader.

NOTE: Make sure the pressurized hose is routed to the pressure port of the motor valve block. If it isn't, the attachment will not operate properly. The proper hose to pressurize has PRESSURE printed on the outer cover and/or a red cable tie on the end.

If you are operating the loader controls correctly and the mower still does not work, try switching the hydraulic couplers around on the mower lead hoses. This will effectively reverse the flow to the motor.



OPERATING INSTRUCTIONS

⚠ WARNING Never operate without lift limit chain installed. Never modify the lift limit chain. To reduce the risk of injury or death check that is operating properly when you first use a machine, after service, or anytime someone may have disconnected the lift limit chain.

The type of brush being cut and the ground conditions will determine the best ground speed and cutting procedure. The brush mower is designed to cut short or tall grass, brush and small trees.

IMPORTANT: Before operating the attachment, perform the service schedule for routine maintenance.

1. Inspect the cutting area for obstructions such as stumps, wire, rocks, electrical lines, debris, drop offs, holes, etc. Remove obstructions from the cutting area that might be picked up and thrown.
2. With the operator in the seat of the loader, the seat belt fastened and the seat bar lowered (if so equipped), start the engine.

⚠ WARNING To improve stability, always carry attachment low to the ground while driving.

3. Activate the auxiliary hydraulic system to start the blade rotation. Make sure auxiliary hydraulic circuit is operating in the correct direction on high flow models. (Clockwise rotation viewed from the top)

IMPORTANT: Engine must be at idle speed when engaging auxiliary hydraulic system.

IMPORTANT: The standard flow version of this mower is designed to operate from 15 to 25 GPM. The high flow version is designed to operate from 25 to 41 gpm. Operating at higher than the rated flow can cause serious damage to the mower and will void the warranty.

IMPORTANT: Do not operate the brush mower if excessive vibration is present. Serious damage can occur. Check blades and blade carrier.



NOTE: Certain loaders may not operate in high flow mode without a special wire harness. Others require the control switches to be operated in a specific way. It may also be necessary to switch the hose couplers around to match your loader. (See loader's operator's manual)

4. With the loader boom lowered all the way and the auxiliary hydraulics engaged, slowly rotate the loader coupler forward until the skid plates are parallel to the ground.

NOTE: It may be helpful in certain instances to keep the front of the mower raised slightly.

5. If desired, the loader lift arms can be put in the float position. (See loader's operator's manual.)
6. Drive the loader forward into the work area.

NOTE: Raising the front of the brush mower a few inches may help while driving forward into thick brush and when turning.

OPERATING INSTRUCTIONS

Brake Circuit

The mower is equipped with a shutdown braking circuit that stops the blade rotation in an abbreviated amount of time. This is controlled with the pressure relief valve in the motor.

To run the mower in continuous flow mode, the correct lead hose will need to be pressurized so that the check valve does not open. If the mower does not operate correctly with the oil flow engaged, try reversing the flow. If this works, either adjust the controls to allow for reverse flow (feature available on some skid steer models) or swap the couplers on the lead hoses of the mower.

⚠ WARNING Do not operate the brush mower with the brake circuit disabled or if malfunctioning. Never exit the loader when the blades are still moving. If you think your brake circuit is not functioning correctly, have it serviced immediately.

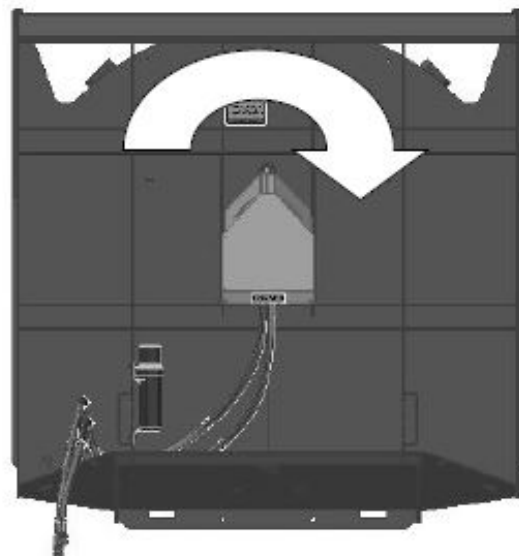
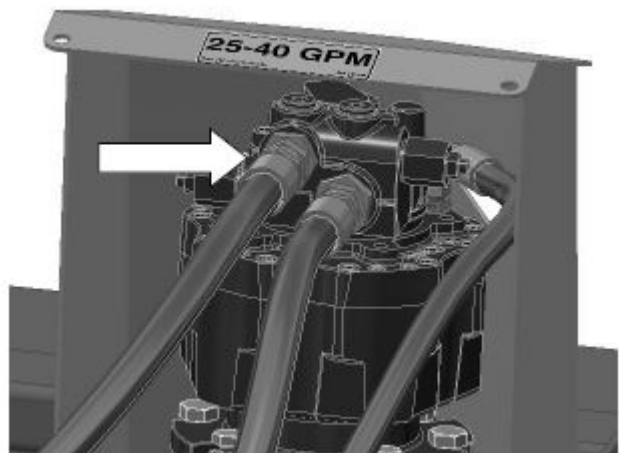
IMPORTANT: Do not adjust the pressure relief valve under any circumstances. This could cause an unsafe braking condition and will void all warranties.

IMPORTANT: On standard flow models, either motor port can be pressurized because the motor is bidirectional (can be operated in either direction).

On high flow models, the motor is only configured to operate at full power in the clockwise direction. Therefore, you must pressurize the motor port on the left side. This gives clockwise blade rotation when viewed from the top.

See loader's operator's manual for details on identifying the pressurized hydraulic coupler.

NOTE: If you are operating the loader controls correctly and the mower still does not work, try switching the hydraulic couplers around on the mower lead hoses. This will effectively reverse the flow to the motor.



ROUTINE MAINTENANCE

⚠ WARNING

Lower the attachment to rest flat on the ground, shut down the engine, relieve the hydraulic pressure to the attachment, set the park brake, and wait for all motion to stop before leaving the operator's seat to perform service of any kind.

It is the operator's responsibility to make daily inspections of the loader and attachment for damage, loose bolts, fluid leaks, or anything else that could cause a potential service or safety problem. Preventive maintenance is the easiest and least expensive type of maintenance.

IMPORTANT: Bolts can loosen after initial usage. After the first hour of operation check all bolts.

DAILY INSPECTION

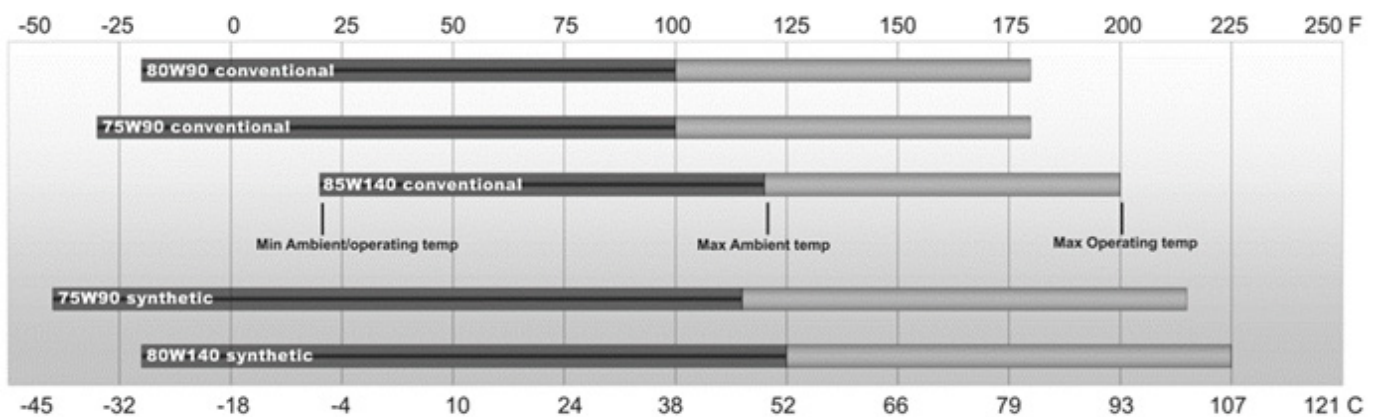
Follow the rotary cutter service schedule for routine maintenance.



1. Check the following items every 4 hours of operation:
2. Check lift chain and shackle for damage or defects.
3. Check blades for cracks or damage. Replace in sets of four if necessary.
4. Check carbide teeth for damage. Replace as needed.
5. Check blade mounting hardware for proper torque of 1000ft. lbs. (1355Nm).
6. Check all hardware. Retighten if necessary.
7. Check deck and shields. Repair if damaged or replace if necessary.
8. Check for damaged or missing decals. Replace if missing.
9. Check for damaged or leaking hydraulic hoses or fittings. Replace if necessary.
10. Clean debris, leaves, grass, and flammable material from deck area and under covers.
11. Check lubrication level in bearing carrier. Use EP80W-90 gear lube or equivalent.
 - a. Oil capacity on std flow models is 10 oz. (295 mL) (16 oz. with Eskridge version)
 - b. Oil capacity on high flow models is 16 oz. (473 mL)

Change the bearing carrier oil after the first **50 hours** of operation. Change the oil **annually** or every **500 hours** of operation thereafter, whichever comes first.

Recommended ambient and operating temperatures for conventional and synthetic gear lubricants



Note: Ambient temperature is the air temperature measured in the immediate vicinity of the gearbox. A Gearbox exposed to the direct rays of the sun or other radiant heat sources will operate at higher temperatures and therefore must be given special consideration. The max operating temperature must not be exceeded under any circumstances, regardless of ambient temperature.

ROUTINE MAINTENANCE

Blade Removal and Installation

NOTE: Check that the blades can swing freely. Also check blades, mounting hardware, and blade carrier for wear, cracking, or breakage, which can cause excessive vibrations. Replace if damaged.

Only service the blades when attachment is attached to the loader.

⚠ WARNING To avoid injury or death, before exiting under or servicing under the attachment, be sure to disconnect the auxiliary hydraulic hoses. Raise the lift arms and tilt the attachment down fully. Install an approved lift arm support and stop the engine. Refer to loader's operator's manual for arm support installation instructions.

⚠ WARNING Bent, deformed, cracked, or damaged blades should be removed from the unit and discarded immediately. Never attempt to repair or reuse a damaged blade.

⚠ WARNING Always replace worn blades. Do not sharpen or weld on the blades. Excessively worn blades can break and be thrown hundreds of feet.

⚠ CAUTION Wear safety glasses and gloves when removing and installing blades.

Removal:

1. Rotate the blade carrier until the bolt is aligned with the access hole.
2. Remove the roll pin and nut from the blade bolt. Remove the blade bolt, blade, and washer.

NOTE: Blade bolt and blade may fall from the blade carrier when removing the blade nut. Always support the blade bolt and blade while removing the nut.

Installation:

1. Always use a new nut, bolt, and roll pin during assembly.

2. Install the new blade bolt through the new blade, washer, and blade carrier. Install the new nut on the blade bolt.
3. Tighten the nut to 1000 ft. lbs. (1355 Nm) torque and install roll pin.
4. Repeat the procedure for the other blades.

NOTE: Install the washer between the blade and the blade carrier.

Blade Carrier Removal

Before removing the blade carrier, make sure the mower is held in a secure position. We recommend tipping the mower up on its nose with a hoist.

⚠ WARNING To avoid injury or death, do not stand directly under blade carrier. Blade carrier may shift when bolts are removed.

1. Secure the carrier with a chain hoist
2. Remove the eight bolts that retain the carrier.

IMPORTANT: When reinstalling the blade carrier plate, torque all 5/8" bolts to 200 ft-lbs and make sure to install the special lock washers.

Gearbox Fluid Check and Fill

1. Position the Brush Mower flat on the ground.
2. Remove the motor cover to gain access to the bearing carrier.

Note: Do not operate without cover in place.

3. Remove the fill plug on the top side of the bearing carrier. Fluid must be visible in the hole.
4. If it is low, add gear lube (see chart pg.12).
5. Reinstall the fill plug and motor cover.

ROUTINE MAINTENANCE

Replacing Bearing Carrier Fluid

1. Remove fill plug
2. Remove bottom drain plug
3. Let fluid drain completely
4. Install drain plug
5. Add fluid
6. Install fill plug

NOTE: Fluids such as engine oil, gear lube, and hydraulic fluid must be disposed of in an environmentally safe manner. Some regulations require that certain spills and leaks be cleaned in a specific manner. Check local, state, and federal regulations for the correct disposal.

Reversing Blade Rotation

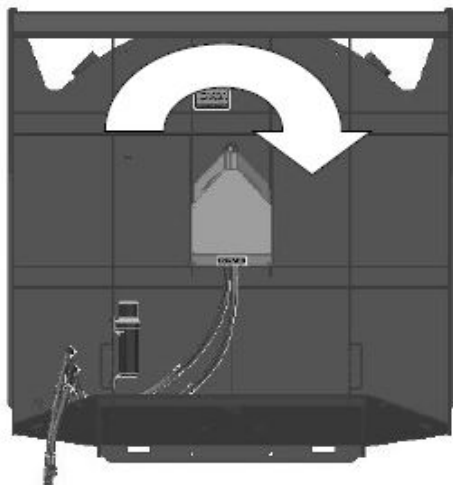
The mower is equipped with double-sided blades.

-On standard flow mowers, the motor is bidirectional and can be run either direction.

-On high flow models, they are only intended to rotate in one direction (clockwise viewed from the top). When the blades are worn, they can be flipped over to use the opposite side.

IMPORTANT: When both edges of the blade are excessively worn, replace all four blades at the same time.

HIGH FLOW BLADE ROTATION DIRECTION:



Cleaning the Mower

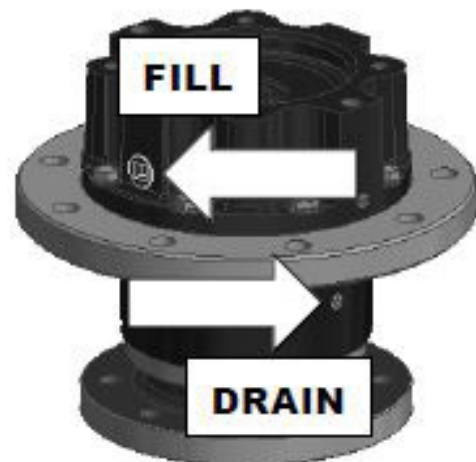
⚠ WARNING To avoid injury or death, before exiting under or servicing under the attachment, be sure to disconnect the auxiliary hydraulic hoses. Raise the lift arms and tilt the attachment down fully. Install an approved lift arm support and stop the engine. Refer to loader's operator's manual for arm support installation instructions.

1. Position the attachment by raising the lift arms and tilting the attachment down. Use an arm lock when working with arms raised. This may require the help of an assistant. Refer to loader's operator's manual for arm locking instructions. Keep the front edge of the attachment within one foot of the ground for debris clean out or blade service.
2. Exit the loader.

⚠ CAUTION Always wear eye protection that meets z87.1 when cleaning.

3. Use water or a small brush to clean debris from the areas under the cover and around the gearbox.

⚠ WARNING Use care when removing any debris that is wrapped around the blades, stump jumper, or bearing carrier shaft. Blades can rotate suddenly.



TORQUE INFORMATION

Torque-Tension Relationships for SAE J429 Grade Bolts

Nominal Thread Size	SAE J429 Grade 2			SAE J429 Grade 5			SAE J429 Grade 8		
	Clamp Load (lbs)	Tightening Torque		Clamp Load (lbs)	Tightening Torque		Clamp Load (lbs)	Tightening Torque	
		K = .15	K = .20		K = .15	K = .20		K = .15	K = .20
Unified Coarse Thread Series									
1/4-20	1,300	49 in-lbs	65 in-lbs	2,000	75 in-lbs	100 in-lbs	2,850	107 in-lbs	143 in-lbs
5/16-18	2,150	101	134	3,350	157	210	4700	220	305
3/8-16	3,200	15 ft-lbs	20 ft-lbs	4,950	23 ft-lbs	31 ft-lbs	6,950	32.5 ft-lbs	44 ft-lbs
7/16-14	4,400	24	30	6,800	37	50	9,600	53	70
1/2-13	5,850	36.5	49	9,050	57	75	12,800	80	107
9/16-12	7,500	53	70	11,600	82	109	16,400	115	154
5/8-11	9,300	73	97	14,500	113	151	20,300	159	211
3/4-10	13,800	129	173	21,300	200	266	30,100	282	376
7/8-9	11,425	125	166	29,435	321	430	41,550	454	606
1-8	15,000	187.5	250	38,600	482.5	640	54,540	680	900
Unified Fine Thread Series									
1/4-28	1,500	55 in-lbs	75 in-lbs	2,300	85 in-lbs	115 in-lbs	3,250	120 in-lbs	163 in-lbs
5/16-24	2,400	112	150	3,700	173	230	5,200	245	325
3/8-24	3,600	17 ft-lbs	22.5 ft-lbs	5,600	26 ft-lbs	35 ft-lbs	7,900	37 ft-lbs	50 ft-lbs
7/16-20	4,900	27	36	7,550	42	55	10,700	59	78
1/2-20	6,600	41	55	10,200	64	85	14,400	90	120
9/16-18	8,400	59	79	13,000	92	122	18,300	129	172
5/8-18	10,600	83	110	16,300	128	170	23,000	180	240
3/4-16	15,400	144	193	23,800	223	298	33,600	315	420
7/8-14	12,610	138	184	32,480	355	473	45,855	500	668
1-12	16,410	205	273	42,270	528	704	59,670	745	995

Clamp load estimated as 75% of proof load for specified bolts.

Torque values for 1/4 and 5/16 inch series are in inch-pounds. All other torque values are in foot-pounds.

Torque values calculated from formula $T = KDF$

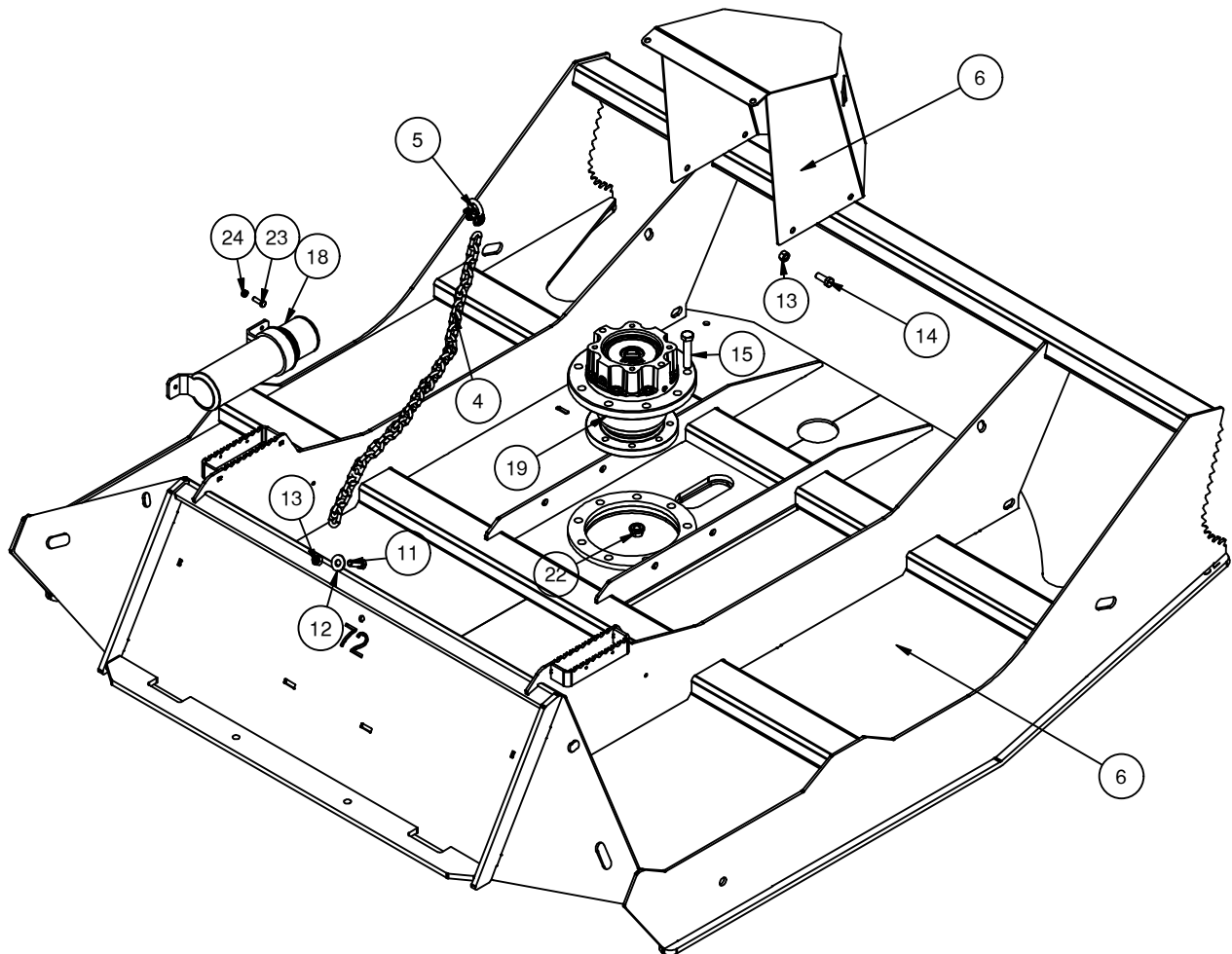
where: $K=0.15$ for "lubricated" conditions

$K=0.20$ for "dry" conditions

PARTS INFORMATION

HIGH FLOW

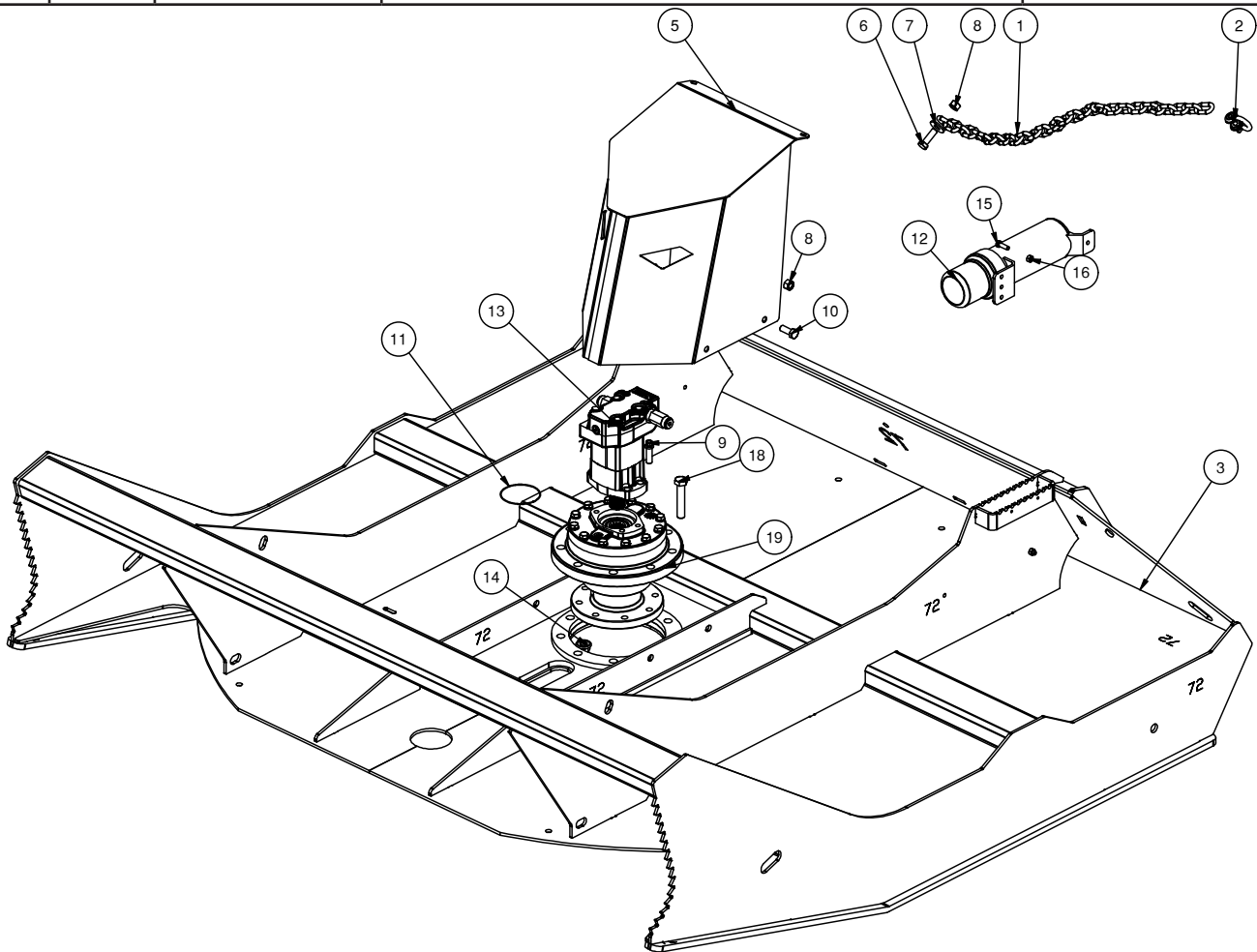
ITEM	QTY	PART NUMBER	DESCRIPTION	STOCK NO.
4	1	400462	CHAIN LINK 5/16 X 5 FT	
5	1	400463	SHACKLE SCREW PIN 3/8	
6	1	341300	DECK 66 MX MOWER W/A	66"
	1	341301	DECK 72 MX MOWER W/A	72"
	1	341302	DECK 78 MX MOWER W/A	78"
8	1	341309	COVER MOTOR MX W/A	
11	1	13209	BOLT HEX	1/2 X 1-1/2 NC GR5
12	1	33012	WASHER FLAT	1/2"
13	5	37214	NUT HEX REV LOCK	1/2 NC GR5 Z
14	4	13207	BOLT HEX	1/2 X 1-1/4 NC GR5
15	9	15315	BOLT HEX	5/8 X 3 NC GR 8 YZ
18	1	320847	HOLDER MANUAL CANISTER 12.5 X 3.5	
19	1	341384	CARRIER BEARING MODEL 7 C-MNT	
22	9	0167012	NUT FLG TOP-LOCK	5/8 UNC GR8 Z
23	2	13055	BOLT HEX	5/16 X 1 NC GR5
24	2	37211	NUT HEX REV LOCK	5/16 NC GR A Z



PARTS INFORMATION

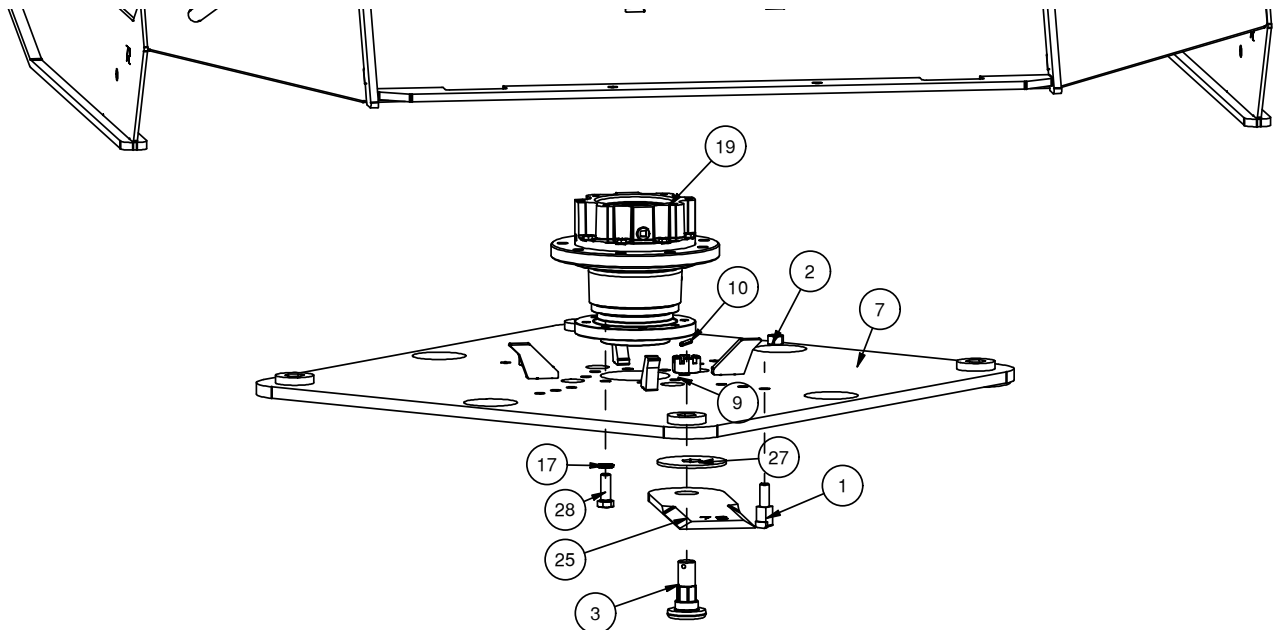
STD FLOW

ITEM	QTY	PART NUMBER	DESCRIPTION	STOCK NO.
1	1	400462	CHAIN LINK 5/16 X 5 FT	
2	1	400463	SHACKLE SCREW PIN 3/8	
3	1	341300	DECK 66 MX MOWER W/A	66"
	1	341301	DECK 72 MX MOWER W/A	72"
	1	341302	DECK 78 MX MOWER W/A	78"
5	1	341309	COVER MOTOR MX W/A	
6	1	13209	BOLT HEX	1/2 X 1-1/2 NC GR 5
7	1	33012	WASHER FLAT	1/2"
8	5	37214	NUT HEX	1/2 REV LOCK
9	4	22886	BOLT FLG 12 PT	1/2 X 1-1/4 NC Z
10	4	13207	BOLT HEX	1/2 X 1-1/4 NC GR 5
11	1	501451	O-RING 3.239 X 1/16 (-042)	
12	1	320847	HOLDER MANUAL CANISTER 12.5 X 3.5	
13	1	341393	MOTOR 6.2 J2K MAG 14T 2RELIEF	
14	9	0167012	NUT FLG TOP-LOCK	5/8 NC GR 8 YZ
15	2	13055	BOLT HEX	5/16 X 1 NC GR 5
16	2	37211	NUT HEX 5/16 REV LOCK	5/16 REV LOCK
18	9	15316	BOLT HEX	5/8 X 3-1/4 UNC GR8 YZ
19	1	341418	CARRIER BEARING MODEL-E70 14T-MAGNETO	



PARTS INFORMATION

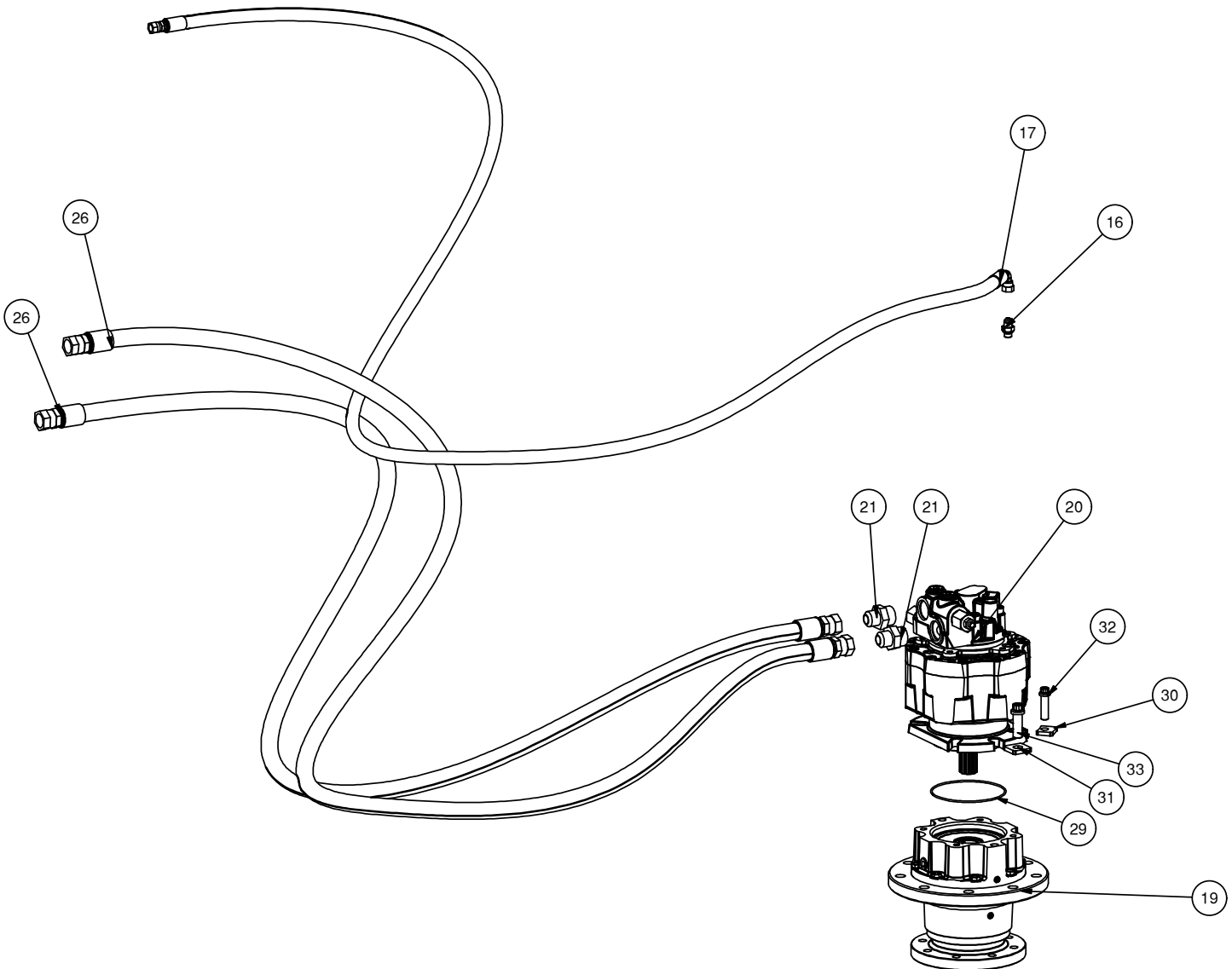
ITEM	QTY	PART NUMBER	DESCRIPTION	STOCK NO.
1	12	421966	TOOTH CARBIDE 3SG	
2	12	37312	NUT HEX	5/8-18 UNF GRD C (GR8)
3	4	421489	BOLT BLADE HEX 1-1/8 NF X 3.20	1-1/8 NF X 3.20
7	1	341304	STUMP JUMPER MX66-4 W/A	66 ONLY
		341306	STUMP JUMPER MX72-4 W/A	72 ONLY
		341308	STUMP JUMPER MX78-4 W/A	78 ONLY
9	4	331371	NUT HEX 1-1/8-12 SLOTTED GR8	1-1/8-12 SLOTTED GR8
10	4	331373	PIN ROLL 1/4 X 1.625 Z	1/4 X 1.625 Z
17	8	311831	WASHER NORD-LOCK 5/8"/M16 NARROW OD	
19	1	REF	CARRIER BEARING	
25	4	341342	BLADE .50 X 14.5 FLAT	66"
		341344	BLADE .50 X 16 FLAT	72"
		341343	BLADE .50 X 17.5 FLAT	78"
27	4	350504	WASHER 1.137 HEX ID X 4.50 OD	1.137 HEX ID X 4.50 OD
28	8	15310	BOLT HEX	5/8 X 1-3/4 NC GR8 YZ
	1	341414	KIT PARTS BLADE MX 66	PARTS ONLY
	1	341415	KIT PARTS BLADE MX 72	PARTS ONLY
	1	341416	KIT PARTS BLADE MX 78	PARTS ONLY



PARTS INFORMATION

HIGH FLOW

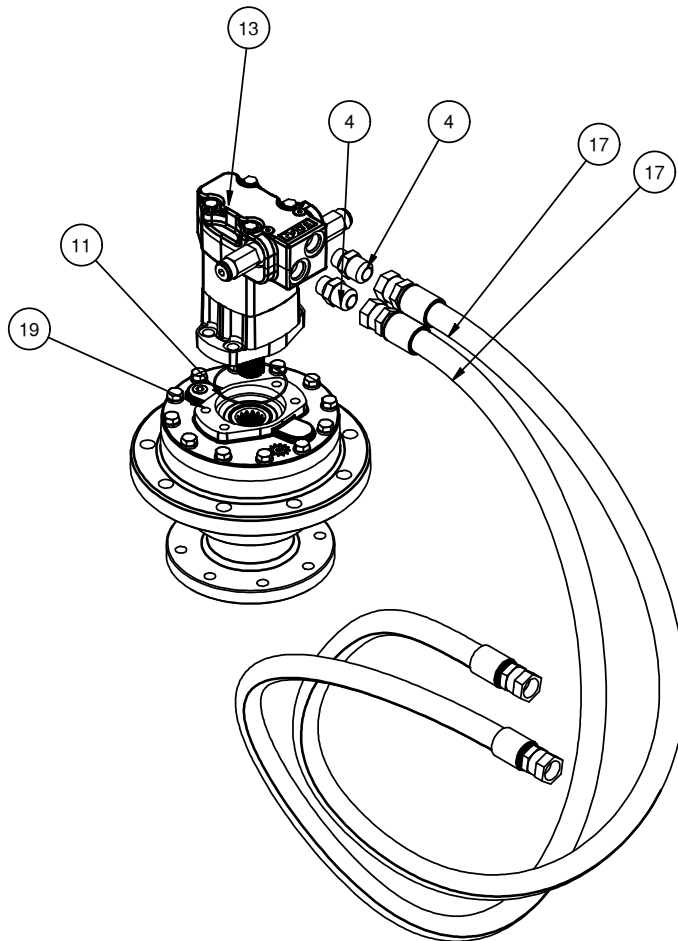
ITEM	QTY	PART NUMBER	DESCRIPTION	STOCK NO.
16	1	319476	ADPT STR 4MBSPP-6MJ	CASE DRAIN
17	1	341402	3/8 X 112" 8FJX-6FJX-90	CASE DRAIN
19	1	341384	CARRIER BEARING MODEL 7 C-MNT	
20	1	341396	MOTOR 9.2 PISTON 14T (151CC)	72" ONLY
	1	341397	MOTOR 10.1 PISTON 14T (166CC)	78" ONLY
21	2	201527	ADPT STR 16MB-12MJ	LEAD HOSES
26	2	341400	HOSE 3/4 X 100" 12FJX-12FJX 3000PSI	LEAD HOSES
29	1	317301	O-RING 5" ID X 3/32 (-159)	
30	4	341421	WASHER PLATE .53 X 1.43 Z SQ	
31	2	341422	WASHER PLATE .65 X 1.43 Z SQ	
32	4	22888	BOLT FLG 12 PT	1/2 X 1-3/4 NC Z GR9
33	2	22904	BOLT FLG 12 PT	5/8 X 1-3/4 NC Z GR9



PARTS INFORMATION

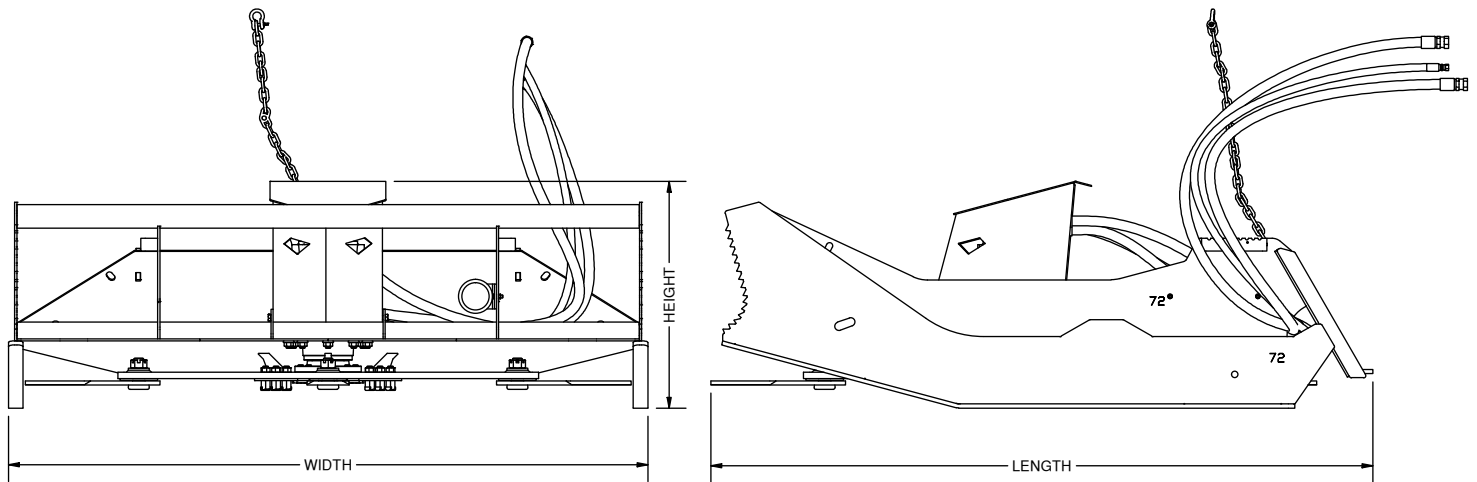
STD FLOW

ITEM	QTY	PART NUMBER	DESCRIPTION	STOCK NO.
4	2	202113	ADPT STR 10MB-12MJ	
11	1	501451	O-RING 3.239 X 1/16 (-042)	
13	1	341392	MOTOR 4.9 J2K MAG 14T 2RELIEF	66" ONLY
		341393	MOTOR 6.2 J2K MAG 14T 2RELIEF	72" ONLY
		341394	MOTOR 8.0 J2K MAG 14 2RELIEF	78" ONLY
16	2	341400	HOSE 3/4 X 100" 12FJX-12FJX	RED ZIP TIE PRESSURE
19	1	341418	CARRIER BEARING MODEL-E70 14T-MAGNETO	



GENERAL SPECS

Model	66" Standard Flow	72" Standard Flow	72" High Flow	78" Standard Flow	78" High Flow
Operating Weight	1,220 lb.	1,330 lb.	1,380 lb.	1,470 lb.	1,520 lb.
Overall Height	27"	27"	27"	27"	27"
Overall Length	71.5"	77.5"	77.5"	83.5"	83.5"
Overall Width	70"	76"	76"	82"	82"
Cutting Width	66"	72"	72"	78"	78"
Flow Range	15-25 GPM	15-25 GPM	25-41 GPM	18-25 GPM	25-41 GPM
Maximum PSI	4,500	4,500	4,641	4,500	4,641
Blade System Mass	303 lbs.	340 lbs.	340 lbs.	378 lbs.	378 lbs.
Case Drain	No	No	Yes	No	Yes





LIMITED WARRANTY

Quick Attach Attachments, LLC warrants each new machine manufactured by us to be free from defects in material and workmanship for a period of twenty-four (24) months from date of delivery to the original purchaser.

Our obligation under this warranty is to replace free of charge, at our factory or Direct Outlet locations, any part proven defective within the stated warranty time limit.

All parts must be returned freight prepaid and adequately packaged to prevent damage in transit.

This warranty does not cover:

1. New products which have been operated in excess of rated capacities or negligence
2. Misuse, abuse, accidents or damage due to improperly routed hoses
3. Machines which have been altered, modified or repaired in any manner not authorized by our company
4. Previously owned equipment
5. Any ground engaging tools in which natural wear is involved, i.e. tooth tips, cutting teeth, etc
6. Normal maintenance
7. Fork tines
8. Hydraulic motors that have been disassembled in any manner

In no event will the Sales Representative, Direct Outlet, Quick Attach Attachments, LLC, or any other company affiliated with it or them be liable for incidental or consequential damages or injuries, including but not limited to the loss of profit, rental or substitute equipment or other commercial loss. Purchaser's sole and exclusive remedy being as provided here in above.

Quick Attach Attachments, LLC must receive immediate notification of defect and no allowance will be made for repairs without our consent or approval.

This warranty is in lieu of all other warranties, express or implied by law or otherwise, and there is no warranty of merchantability or fitness purpose.

No agent, employee, or representative of Quick Attach Attachments, LLC has any authority to bind Quick Attach Attachments, LLC to any warranty except as specifically set forth herein. Any of these limitations excluded by local law shall be deemed deleted from this warranty; all other terms apply.

This warranty may not be enlarged or modified in any manner except in writing signed by an executive officer of Quick Attach Attachments, LLC to improve its products whenever it is possible and practical to do so. Quick Attach Attachments, LLC reserves the right to make changes and or add improvements at any time without incurring any obligation to make such changes or add such improvements to products previously sold.

Quick Attach Attachments, LLC
P.O. Box 128 Alexandria, MN 56308
Phone (320) 759-1551
Fax (320) 759-1590

