

LANDSCAPE SEEDER MODELS 72"/ 96"

SERIAL NUMBER 1159382 AND LATER

Operator's Manual
Maintenance & Parts Information



Read this Manual Before Use

TABLE OF CONTENTS

SAFETY	3-4
DECAL INFORMATION	5-7
MOUNTING INSTRUCTIONS	8-9
OPERATING INSTRUCTIONS	10-12
ROUTINE MAINTENANCE	13-14
TORQUE SPECS	15
PARTS INFORMATION	16-25
GENERAL SPECS	26
SEED RATES	27
NOTES	28-30
WARRANTY	31

NOTE: Write your serial number for your attachment in the spaces below. Always refer to this serial number when calling for services parts.

Serial Number

Attachment Dealer

Address

Phone Number

Contact

NOTE: Quick Attach LLC reserves the right to make improvements in design or changes in specifications at any time without notice and without incurring any obligations to install them on units previously sold.

SAFETY

DO NOT use or perform maintenance on this machine until this manual has been read and understood. In addition, read the Operation and Maintenance Manual(s) pertaining to the attachment and the attachment carrier (“Loader”).

The user is responsible for inspecting the machine daily, and for having parts repaired or replaced when continued use of the machine would cause damage, excessive wear to other parts or make the machine unsafe for continued operation.

If an operating procedure, tool device, maintenance or work method not specifically recommended is used; you must satisfy yourself that it is safe for you and others. You must also ensure that the attachment will not be damaged or made unsafe by the procedures you choose.

Quick Attach LLC cannot anticipate every possible circumstance that might involve potential hazard. The safety messages found in this manual and on the machine are therefore not all inclusive

The signal words **CAUTION**, **WARNING**, or **DANGER** are used to indicate hazards.

CAUTION

Indicates a potentially hazardous situation which, if not avoided, may result in minor or moderate injury.

WARNING

Indicates a potentially hazardous situation which, if not avoided, could result in death or serious injury.

DANGER

Indicates a potentially hazardous situation which, if not avoided, will result in death or serious injury.

The word **IMPORTANT** is used in the text when immediate damage will occur due to improper technique or operation.

The word **NOTE** is used to convey information that is out of context with the manual text; special information such as specifications, techniques, reference information, and other information of a supplementary nature.

SAFETY

Improper operation can cause serious injury or death.

PRE-OPERATION

- **NEVER** use this attachment for purposes other than intended.
- Read the operator's manual for the "Skid Steer Loader". **NEVER** allow untrained people to operate.
- Operating instructions must be given to everyone before operating this machine and at least once a year thereafter in accordance with OSHA regulations.
- **NEVER** exceed the maximum recommended input power or speed specifications for the attachment. Over-powering or over-speeding the attachment may cause personal injury and/or machine damage.
- Keep all shields, guards, and covers in place.
- Do not modify equipment or add attachments that are not approved by Quick Attach LLC.
- Use adequate safety warning lights and devices as required by local regulations. Obey all local laws and regulations regarding machine operation on public property.

OPERATION

- Always wear eye protection that meets z87.1 or use with a loader enclosure that provides similar protection.
- Hydraulic connections may be hot after use. Use gloves if connecting or disconnecting after use.
- Check and be sure all operating controls are in neutral before starting the engine.
- Keep people away from loader and attachment when in use. This attachment has moving parts.

OPERATION (continued)

- **NEVER** operate near embankments or terrain that is so steep that rollover could occur.
- Always stay in the operator position when using the attachment.
- Before leaving the operators position, disengage hydraulic drive, lower the attachment to rest flat on the ground, stop engine, set park brake, and wait for all motion to stop.
- **NEVER** place hands near moving parts or clear debris while engine is running.

AVOID HIGH PRESSURE FLUIDS HAZARD

- Escaping fluid under pressure can penetrate the skin causing serious injury.
- Avoid the hazard by relieving the pressure before disconnecting hydraulic lines.
- Use a piece of paper or cardboard, **NOT BODY PARTS**, to check for suspected leaks. Wear protective gloves and safety glasses or goggles when servicing or performing maintenance on hydraulic systems.
- If an accident occurs, see a doctor immediately. Any fluid injected into the skin must be surgically removed within a few hours or gangrene may result.

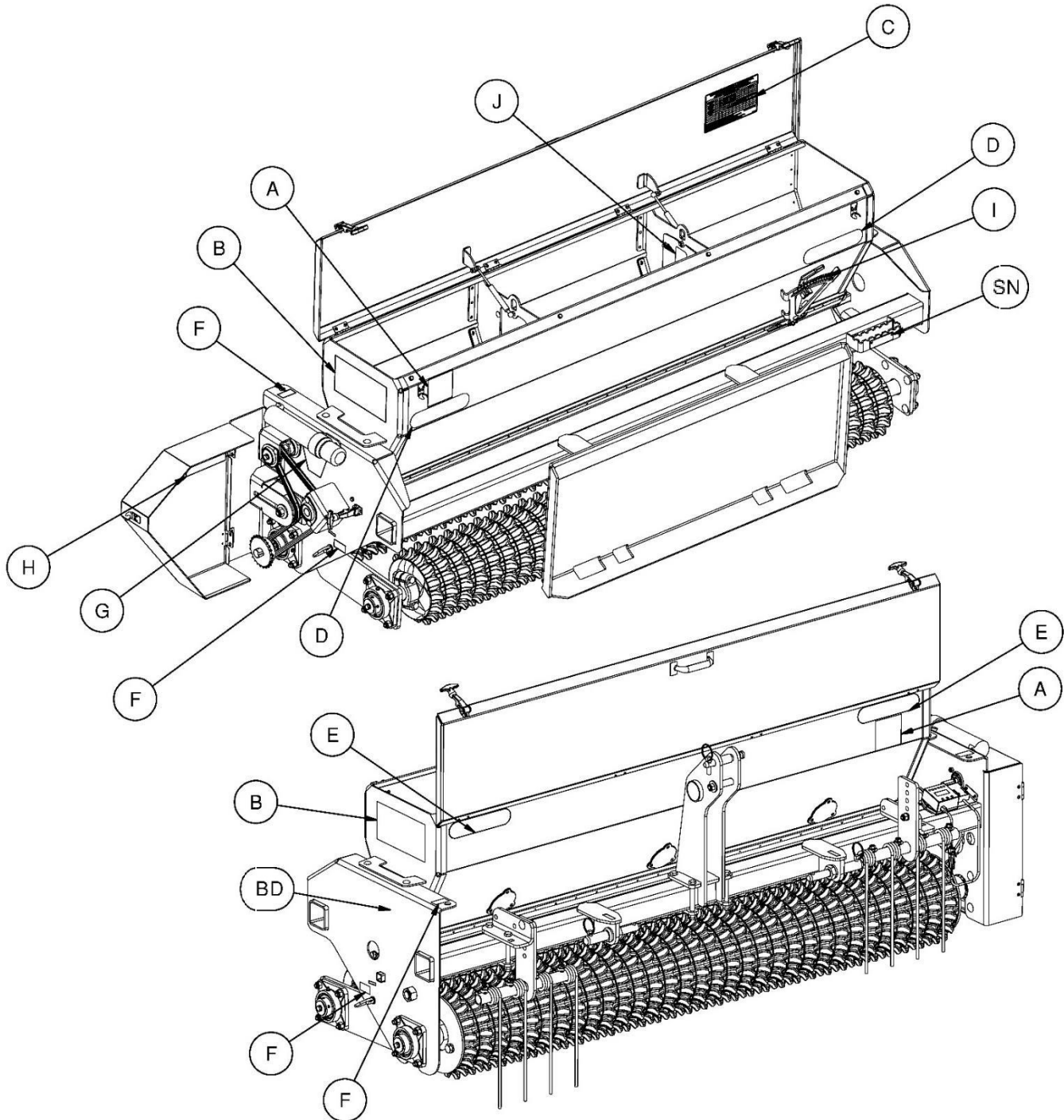
MAINTENANCE

- **NEVER** make adjustments, lubricate, clean, or perform any service on the machine while it is in operation.
- Make sure the attachment is serviced on a daily basis. Improper maintenance can cause serious injury or death in addition to damage to the attachment and/or your equipment.

DECAL INFORMATION

Serial Number Location:

It is important to refer to the serial number of your attachment when making repairs or ordering parts. Early or later models (identification made by serial number) may use different parts, or it may be necessary to use different procedures in doing a specific operation. Please see below for Serial Plate location.



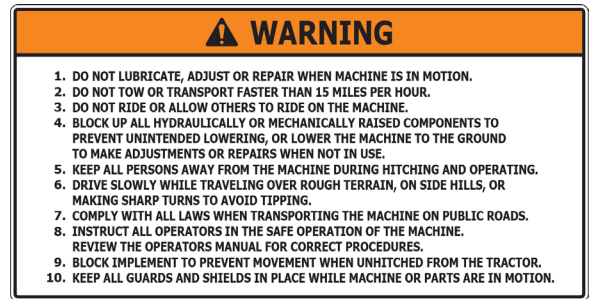
DECAL INFORMATION

A



Part number: 200001
 Location: On the front & rear of seedbox, RH side
 Quantity: 2

B



Part number: 317704
 Location: On each side of seed box
 Quantity: 2

C

SEED RATES FOR 3PT BROADCAST SEEDER												
RATES ARE LISTED IN POUNDS ONLY. VARIATION IN SOILS AND CROWDING WILL AFFECT RATES. CHECK ACREAGE AND POUNDS OF SEED USED FOR BEST RESULTS.												
Motor Setting	1	2	3	4	5	6	7	8	9	10	11	12
Alfalfa	-	2.1	8.9	39.6	107	209	-	-	-	-	-	-
Red Clover	-	3.1	23.6	65.3	154	285	-	-	-	-	-	-
Flaxseed	-	3.4	3.2	26.9	63.3	171	-	-	-	-	-	-
Turkeys	-	3.2	14.6	61.8	92.2	289	-	-	-	-	-	-
Grass Blend	-	-	-	-	-	4.9	13.1	28.5	65.2	85.2	107	-
Pine Grass	-	-	-	-	-	22.8	66.1	139	302	-	-	-
Oats	-	-	3.8	6.3	12.9	18.8	38.4	57.3	98.8	138	114	-

SEED RATES MAY BE CALCULATED FOR UNLISTED SEEDS AS FOLLOWS: (SEE MANUAL FOR GREATER DETAIL)
 1. RAISE AND SECURE THE PLANTER SO THE CRANK ROLLER CAN BE ROTATED FREELY.
 2. PLACE THE COLLECTION TRAY UNDER THE SEED RATE TO OBTAIN THE SEED.
 3. ROTATE THE CRANK ROLLER CLOCKWISE 48.3 TIMES FOR 7" & 36.5 TIMES FOR 9" WITH THE CRANK HANDLE.
 4. WEIGH SEED AND MULTIPLY BY 50 FOR APPROXIMATE PLANTING RATE IN LBS/ACRE. 423322

Part Number: 423252
 Location: RH on inside of seed box cover
 Quantity: 1

D



Part number: 317694
 Location: On rear of seed box, each end
 Quantity: 2

E



Part Number: 300245
 Location: On front of seed box, each end
 Quantity: 2

F



Part Number: 317707
 Location: Near pin parking and operating locations
 Quantity: 4

Safety Decals Locations:

The locations of the safety decals are shown. If these decals are missing, damaged, or painted over they must be replaced. Call Quick Attach LLC (320-759-1551) for replacement decals.

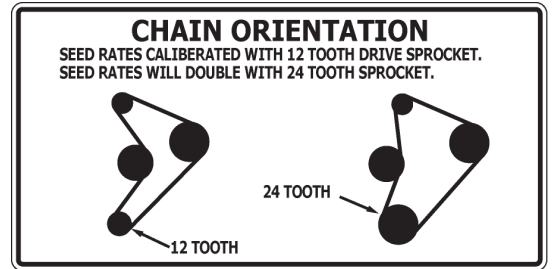
DECAL INFORMATION

G



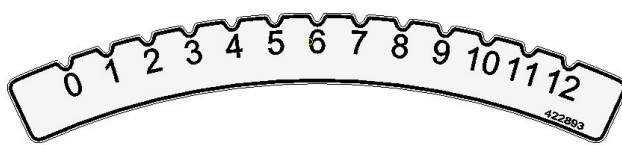
Part number: 103206
 Location: Under chain shield
 Quantity: 1

H



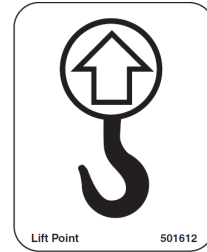
Part number: 317708
 Location: On inside of chain shield
 Quantity: 1

I



Part Number: 422893
 Location: On metering handle
 Quantity: 1

J



Part Number: 501612
 Location: On inside of seed box tensioner w/a
 Quantity: 1

BD



Brand Decal: Small Decal
 Location: On each end
 Quantity: 2

Safety Decals Locations:

The locations of the safety decals are shown. If these decals are missing, damaged, or painted over they must be replaced. Call Quick Attach LLC (320-759-1551) for replacement decals.

MOUNTING INSTRUCTIONS

After the initial set-up assembly is completed use the following procedure to mount the attachment to the loader for user operation.

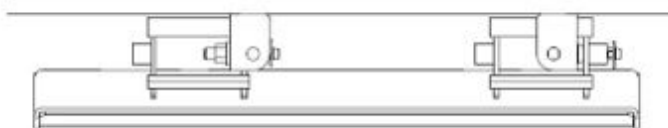
⚠ WARNING

Coupler wedges or pins must extend through holes in attachment. Levers must be fully down and locked. Failure to secure wedges or pins can allow the attachment to come off and cause injury or death.

1. Use the step, safety treads, and grab handles to get on and off the loader and attachment.
2. Sitting in the operator's seat, lower the seat bar (if so equipped), and fasten the seat belt.
3. Drive the loader to the rear of the attachment. Put the loader quick attach coupler into the attachment mounting bracket.
4. Tilt the loader coupler backward a small amount until it is fully engaged in the attachment mounting bracket.
5. Stop the engine and engage the park brake.
6. Secure the coupler locking mechanism that attaches the attachment to the loader.
7. Mounting is now complete and the attachment is ready for operation. Use reverse order of above instructions to dismount the attachment from the loader.



Mounting Plate Standard Position



Mounting Plate Offset Position

Mounting Plate Offset

The mounting plate can be offset by 5" to accommodate loaders that are wider than 72". Follow the process below to offset the mounting plate:

1. Remove the two snap ring pins and slide the mounting plate off of the hitch pins.
2. Remove the two hitch pins and reverse their direction so that they are pointing toward the right side of the attachment.
3. Slide the mounting plate back onto the hitch pins and reinstall the snap ring pins to secure in place.

MOUNTING INSTRUCTIONS

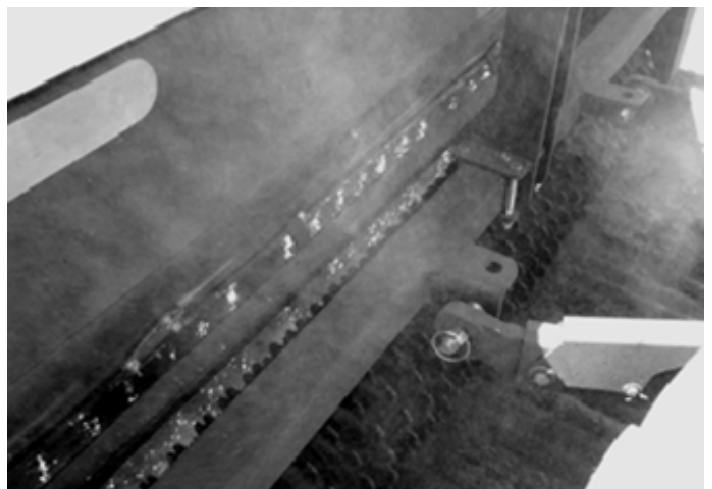
After the initial set-up assembly is complete, use the following procedure to mount the attachment to the tractor for user operation.

Mounting to a Tractor

1. Use the step, safety treads, and grab handles to get on and off the tractor.
2. Sitting in the operator's seat, fasten the seat belt (if so equipped).
3. Drive the tractor to the front of the attachment. Align the tractor 3-point arms with the attachment mounting pins.
4. Stop the engine and engage the park brake.
5. Have a second person connect all 3-point links to the attachment using the pins provided.

⚠ WARNING All appropriate hitch pins and locking pins must be locked into place. Failure to secure pins can allow the attachment to disconnect from the tractor and cause injury or death.

6. Adjust the 3-point top link so that the attachment is level while resting on the ground (see tractor's operator's manual for top link adjustment instructions).



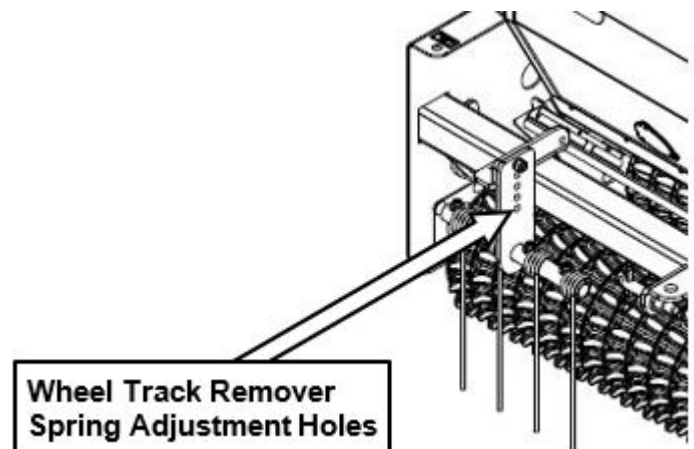
Wheel Track Remover Adjustment

1. Raise the attachment 6" to 12" off of the ground and block in position.

⚠ WARNING To avoid being crushed, never work on raised attachment without using additional support blocks or jack stands.

2. Remove the 1/2" nut and lock washer from the carriage bolt that holds the spring mount in place, and move it to the desired depth.
3. Reinstall the nut and lock washer once the spring mount is in place. Tighten hardware to the proper torque (see "Bolt Torque Information" on page 15).

NOTE: Softer soil requires the wheel track remover springs to be set deeper.



OPERATING INSTRUCTIONS

Seed Metering Adjustment

1. Determine the required seed density per acre or per 1000ft² as recommended by the seed manufacturer.
2. Use the seed box calibration chart for the specific meter setting information. The chart decal can be found on the inside of the seed box lid, or on page 27 of this manual.
3. The meter settings range from 0-12, where 0 indicates the gates being fully closed, and 12 indicates the gates being fully open.
4. The slide gate can be adjusted by loosening the plastic thumb screw and sliding the metering handle to the number specified by the seed box calibration chart.

NOTE: Always return the meter handle to 0 prior to changing the seed gate to a new position. This will ensure consistent gate settings.

NOTE: For seed types not included on the chart, follow the "Seed Box Calibration" instructions.

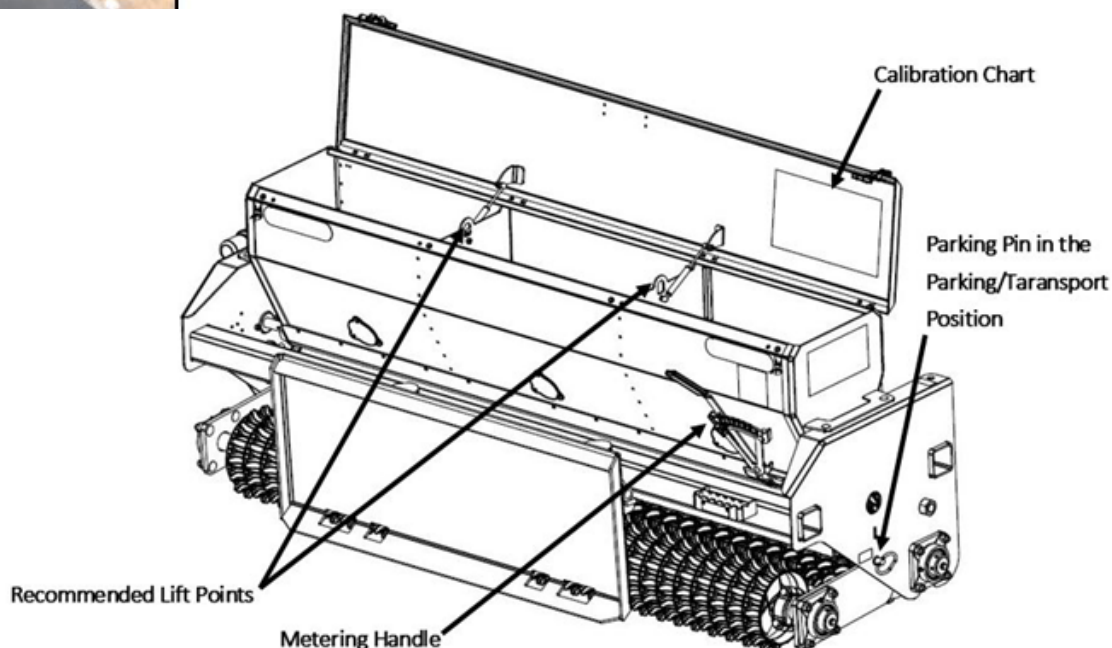
Seed Box Calibration\

NOTE: If seed rate accuracy is important to your application, you **MUST** calibrate your seeder to ensure seed rate accuracy. The seed rate chart is meant only as a guide.

1. Stop the engine and engage the park brake.
2. Make sure both parking pins are in the parking/transportation positions and through the hole in the swing arms, which will keep the brake from engaging while testing.
3. Lift the seeder 6" to 12" off of the ground and block in position.
4. The seed calibration tray will collect the seed dropped during the test.
5. Use a 9/16" wrench or socket on the non-chain end of the drive axle to turn the axle and agitator over in a clockwise direction.
6. Set the meter handle to the desired position and rotate the drive axle 48.5 revolutions.
7. Weigh the seed from the calibration tray, that was dropped by the seeder. Multiply the weight of the dropped seed by 50 for an approximate seed density in lbs/acre.



Swing Arm Pinned Up



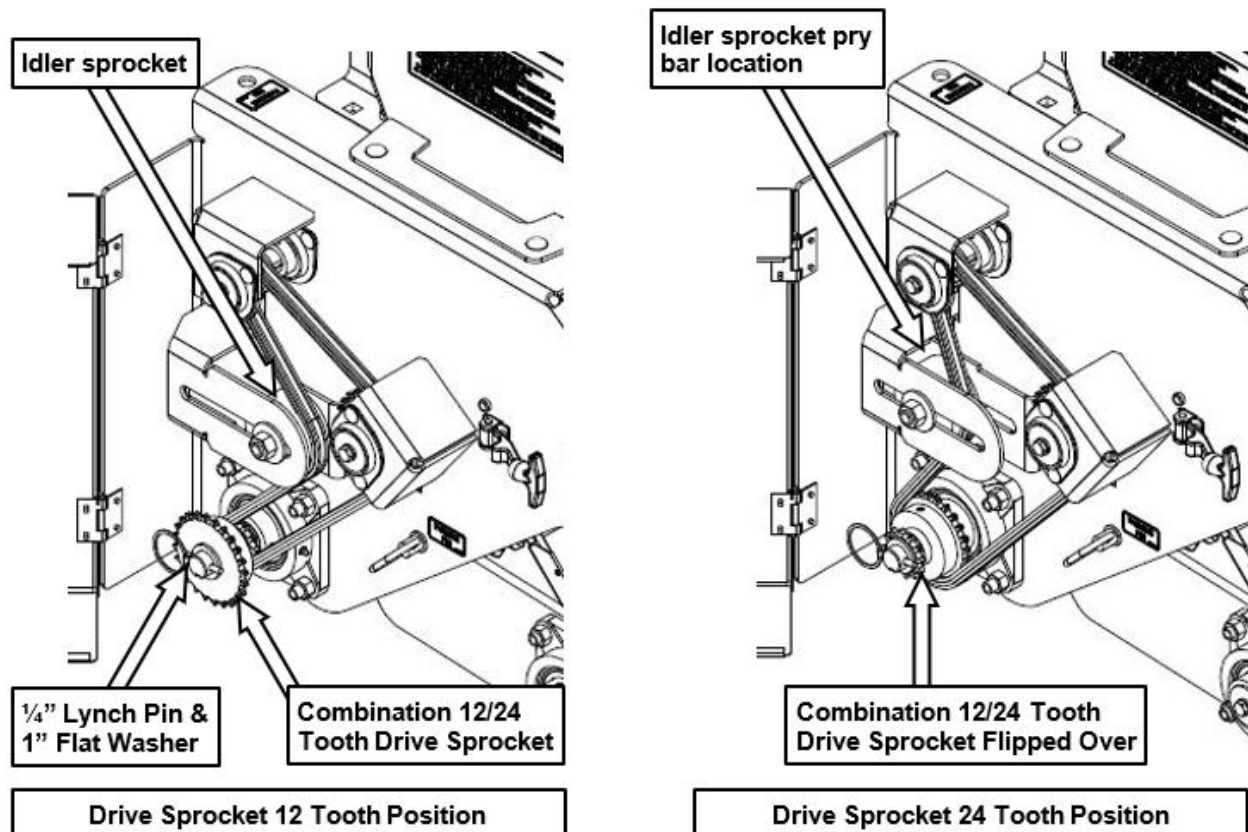
OPERATING INSTRUCTIONS

Doubling the Seed Rate

The seed rate can be doubled by replacing the 12 tooth drive sprocket with the 24 tooth drive sprocket.

1. Open the chain case door to allow access to the sprockets.
2. Remove the 1/4" lynch pin and 1" flat washer from the drive axle.
3. Use a wrench to loosen the 5/8" nut on the idler sprocket and slide the idler to the left to loosen the chain.
4. Remove the chain from the 12 tooth sprocket and remove the combination sprocket from the drive axle.
5. Flip the sprocket over and reinstall it on the drive line with the 24 tooth half first.
6. Reinstall the 1" flat washer and 1/4" lynch pin.
7. Use a pry bar to apply light force to the side of the idler sprocket and push it to the right. Apply enough tension to the chain with the idler to remove the slack. Make sure the chain is fully seated in all three sprockets, and tighten the 5/8" nut.

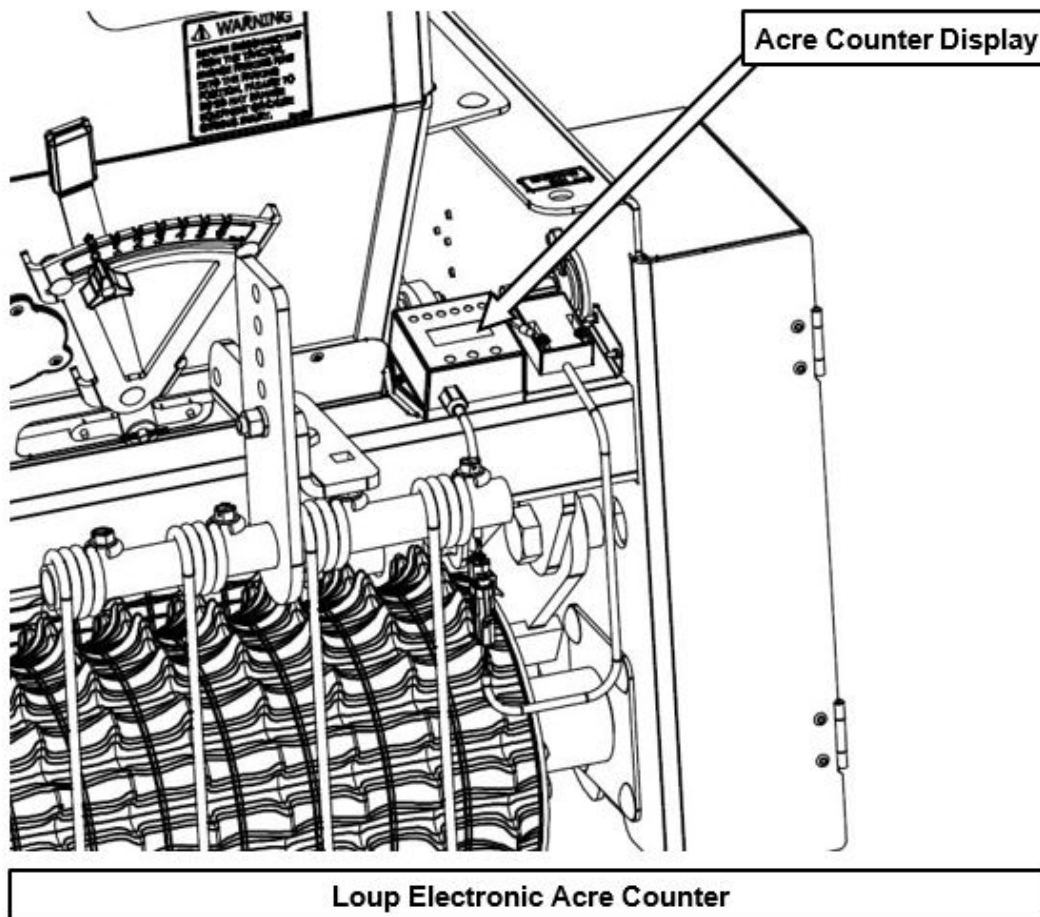
IMPORTANT: Do not over tighten the roller chain. Tighten only enough to remove slack.



OPERATING INSTRUCTIONS

Acre Counter Adjustment

1. On the acre counter, press the FUNC button until the "PULSES" LED is lit. The number in the display indicates how many pulses are generated per every 400 feet driven.
2. For this application, use the UP and DOWN buttons to adjust the number of pulses per 400 feet driven until the display reads "134".
3. Press the FUNC button until the "WIDTH" LED is lit. The number in the display indicates the width in feet that the attachment plants per pass.
4. For this application, use the UP and DOWN buttons to adjust the planting width until the display reads "6.0" feet.
5. For all other acre counter questions, see the Loup Electronics user's manual that was included with the seeder.



ROUTINE MAINTENANCE





⚠ WARNING

Lower the attachment to rest flat on the ground, shut down the engine, set the park brake, and wait for all motion to stop before leaving the operator's seat to perform service of any kind.

It is the operator's responsibility to make daily inspections of the loader and attachment for damage, loose bolts, fluid leaks, or anything else that could cause a potential service or safety problem. Preventive maintenance is the easiest and least expensive type of maintenance.

IMPORTANT: Bolts can loosen after initial usage. After the first hour of operation check all bolts.

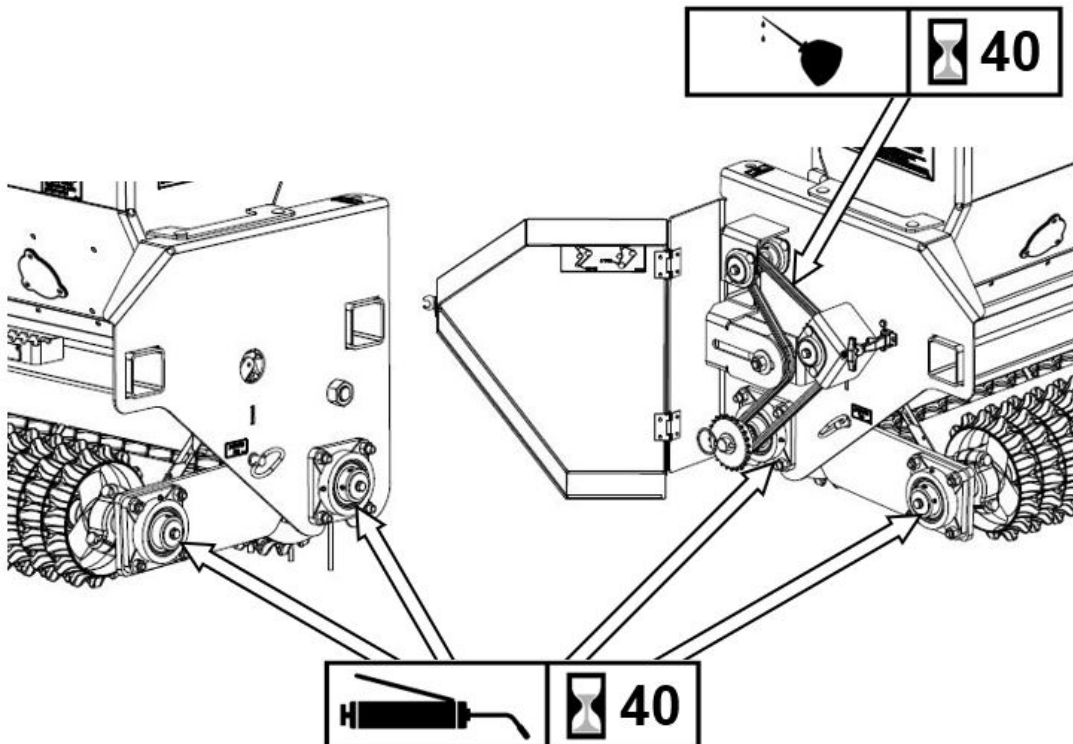
LUBRICATION

Lubrication Legend	 Multipurpose spray lube	 Multipurpose grease lube	 Multipurpose oil lube	 50 Intervals at which lubrication is required
---------------------------	---	--	--	--

ROUTINE INSPECTION

Check the following items every 40 hours of operation:

1. Check the entire attachment for weld cracks or excessive damage. Repair if necessary.
2. Check all hardware. Replace or retighten if necessary.
3. Check shields. Repair if damaged or replace if necessary.
4. Check for damaged or missing decals. Replace if damaged or missing.
5. Lubricate drive chain with an approved chain oil.
6. Grease the four flange bearings using No. 2 lithium base grease gun.

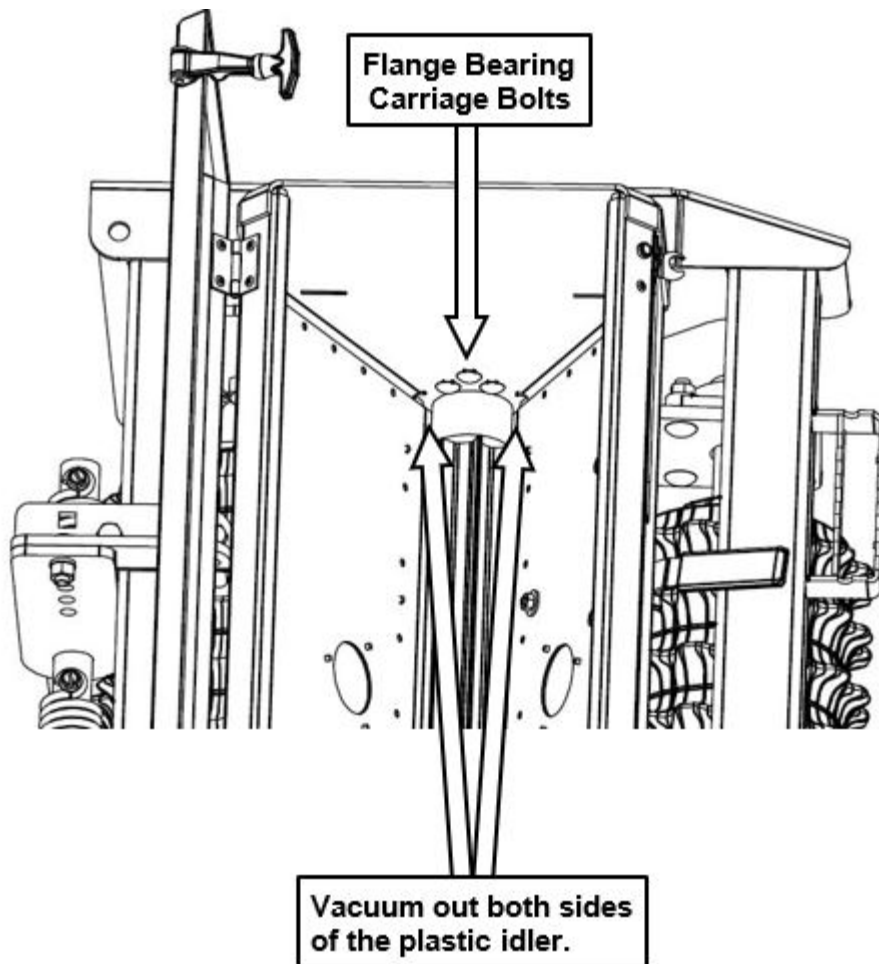


ROUTINE MAINTENANCE

Slide Gate Maintenance

After prolonged use, seed may accumulate under the seed box bearings. The excess seed may make it difficult to adjust the seed box slide gate. To remove the excess seed:

1. Empty the seed box completely.
2. Use a 9/16" wrench to loosen the three 3/8" nuts on each of the two flange bearings.
3. Allow the bearings to slide up slightly so the plastic idlers lift away from the slide gate.
4. Move the slide gate back and forth a few times to loosen up the seed.
5. Use a vacuum to remove all of the excess seed that had built up under the plastic idlers.
6. Repeat steps 4 and 5 until the slide gate moves freely.
7. Push the bearings back down to the slide gate and retighten the 3/8" nuts.



TORQUE INFORMATION

Torque-Tension Relationships for SAE J429 Grade Bolts

Nominal Thread Size	SAE J429 Grade 2			SAE J429 Grade 5			SAE J429 Grade 8		
	Clamp Load (lbs)	Tightening Torque		Clamp Load (lbs)	Tightening Torque		Clamp Load (lbs)	Tightening Torque	
		K = .15	K = .20		K = .15	K = .20		K = .15	K = .20
Unified Coarse Thread Series									
1/4-20	1,300	49 in-lbs	65 in-lbs	2,000	75 in-lbs	100 in-lbs	2,850	107 in-lbs	143 in-lbs
5/16-18	2,150	101	134	3,350	157	210	4700	220	305
3/8-16	3,200	15 ft-lbs	20 ft-lbs	4,950	23 ft-lbs	31 ft-lbs	6,950	32.5 ft-lbs	44 ft-lbs
7/16-14	4,400	24	30	6,800	37	50	9,600	53	70
1/2-13	5,850	36.5	49	9,050	57	75	12,800	80	107
9/16-12	7,500	53	70	11,600	82	109	16,400	115	154
5/8-11	9,300	73	97	14,500	113	151	20,300	159	211
3/4-10	13,800	129	173	21,300	200	266	30,100	282	376
7/8-9	11,425	125	166	29,435	321	430	41,550	454	606
1-8	15,000	187.5	250	38,600	482.5	640	54,540	680	900
Unified Fine Thread Series									
1/4-28	1,500	55 in-lbs	75 in-lbs	2,300	85 in-lbs	115 in-lbs	3,250	120 in-lbs	163 in-lbs
5/16-24	2,400	112	150	3,700	173	230	5,200	245	325
3/8-24	3,600	17 ft-lbs	22.5 ft-lbs	5,600	26 ft-lbs	35 ft-lbs	7,900	37 ft-lbs	50 ft-lbs
7/16-20	4,900	27	36	7,550	42	55	10,700	59	78
1/2-20	6,600	41	55	10,200	64	85	14,400	90	120
9/16-18	8,400	59	79	13,000	92	122	18,300	129	172
5/8-18	10,600	83	110	16,300	128	170	23,000	180	240
3/4-16	15,400	144	193	23,800	223	298	33,600	315	420
7/8-14	12,610	138	184	32,480	355	473	45,855	500	668
1-12	16,410	205	273	42,270	528	704	59,670	745	995

Clamp load estimated as 75% of proof load for specified bolts.

Torque values for 1/4 and 5/16 inch series are in inch-pounds. All other torque values are in foot-pounds.

Torque values calculated from formula $T = KDF$

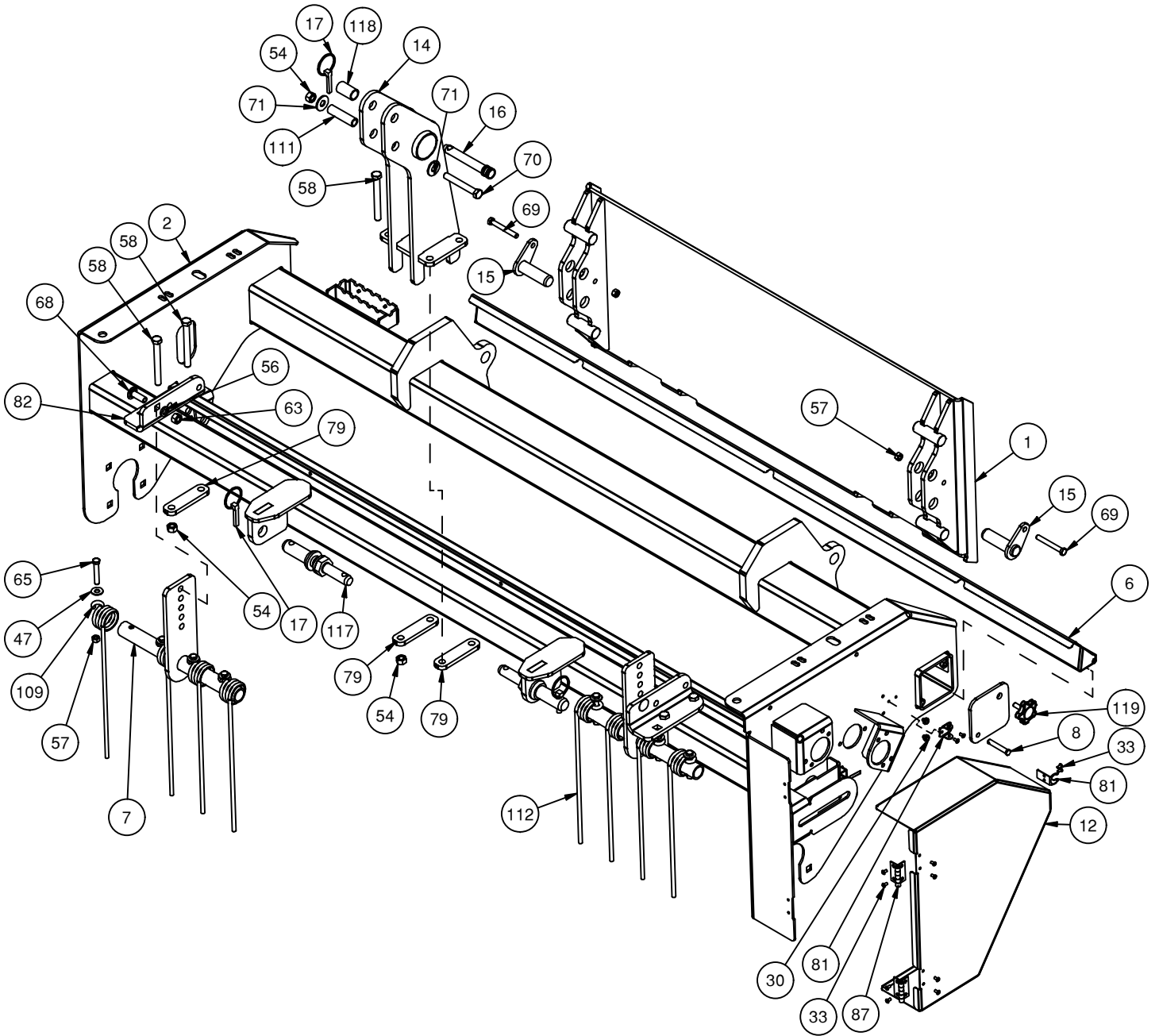
where: K=0.15 for "lubricated" conditions

K=0.20 for "dry" conditions

PARTS INFORMATION

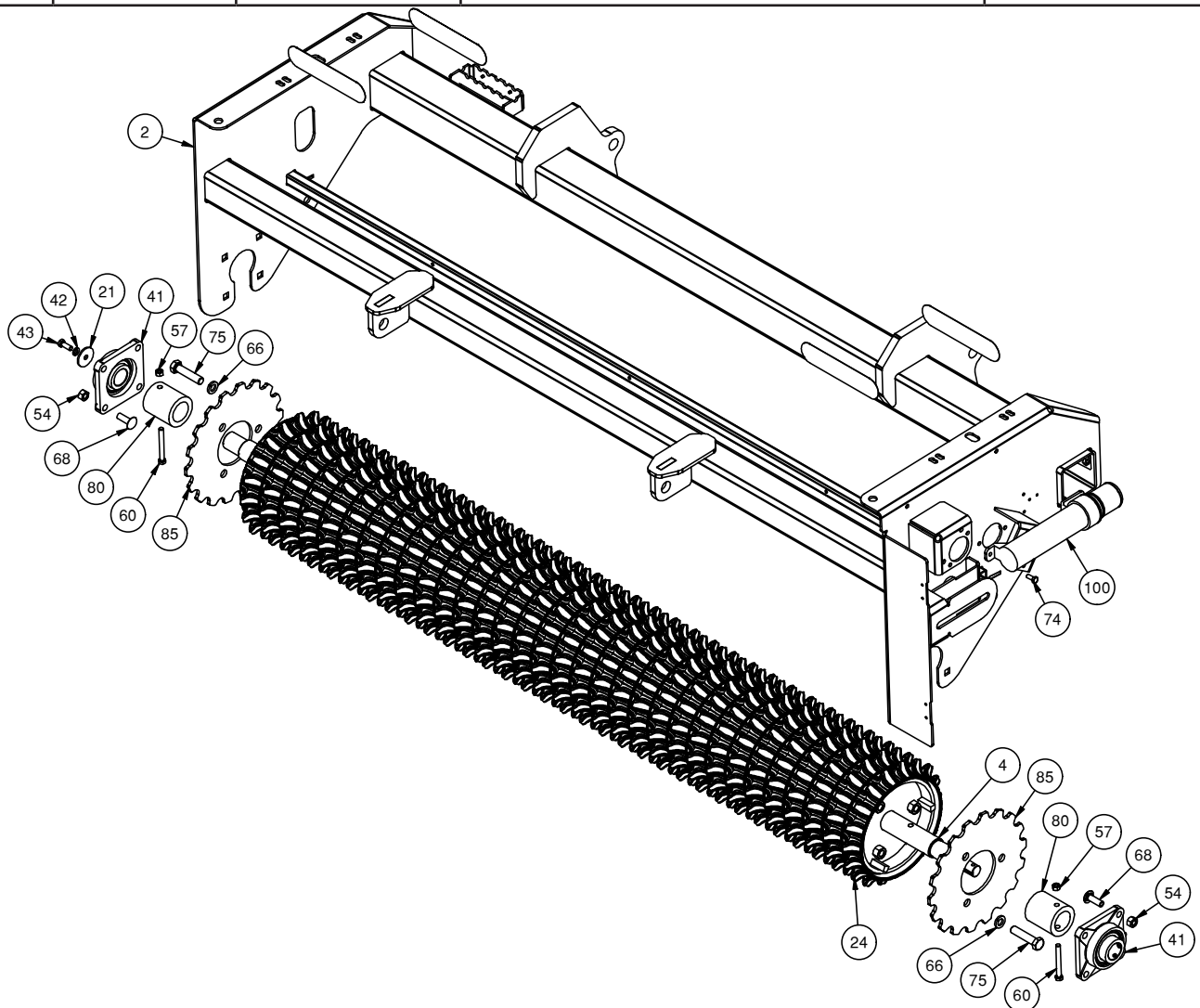
ITEM	QTY	PART NUMBER	DESCRIPTION	STOCK NO.
1	1	317763	MOUNT FRAME SEEDER W/A	
2	1	317761	FRAME SEEDER 72 W/A	
	1	317762	FRAME SEEDER 96 W/A	
6	1	422884	TRAY SEED CALIBRATION 72 W/A	
	1	422886	TRAY SEED CALIBRATION 96 W/A	
7	2	317729	MOUNT SPRING RAKE W/A	
8	1	422888	COVER TUBE 4.5 X 4.5 W/A	
12	1	317606	COVER CHAIN CASE W/A	
14	1	317604	3-POINT UPPER W/A	
15	2	340161	PIN 1 X 3.25 W/A	
16	1	300460	PIN 3-PT CAT1 TOP 3/4 X 3-7/8	
17	3	104432	PIN LYNCH 7/16 X 1-3/4	
30	6	317667	BUMPER RUBBER BUTTON .50	
33	16	41125	RIVET 3/16 STEEL #64	
47	8	33008	WASHER FLAT	USS 3/8
54	9	37214	NUT HEX	1/2 REV LOCK
56	2	33626	WASHER SPLIT LOCK	1/2
57	10	37212	NUT HEX	3/8 REV LOCK
58	8	13221	BOLT HEX	1/2 X 4-1/2 NC GR 5
63	2	36110	NUT HEX FULL	1/2 NC GR2 Z
65	8	13112	BOLT HEX	3/8 X 2-1/4 NC GR 5
68	2	318277	BOLT CARR SHORT NECK	1/2 X 1-1/2 NC
69	2	13115	BOLT HEX	3/8 X 3 NC GR 5
70	1	13218	BOLT HEX	1/2 X 3-3/4 NC GR 5 Z
71	2	33012	WASHER FLAT	USS 1/2
79	4	317699	PLATE STRAP PAINTED	
81	3	317605	LATCH RUBBER 4.63 W/BRKT	
82	2	317731	BRKT SPRING MNT PNTD	
87	2	330942	HINGE 2 X 2 HD	
109	4	317727	SPRING HARROW RH	
111	1	420400	BUSHING .75 x .53 x 2.88 Z	
112	4	317726	SPRING HARROW LH	
117	2	330819	PIN 3-PT LIFT CAT1 7/8 & CAT2 1-1/8 ASSM	
118	1	420070	BUSHING 1.00 x .78 x 1.69 Z	
119	1	421563	KNOB PLASTIC 3/8 X 1 NC STUD	

PARTS INFORMATION



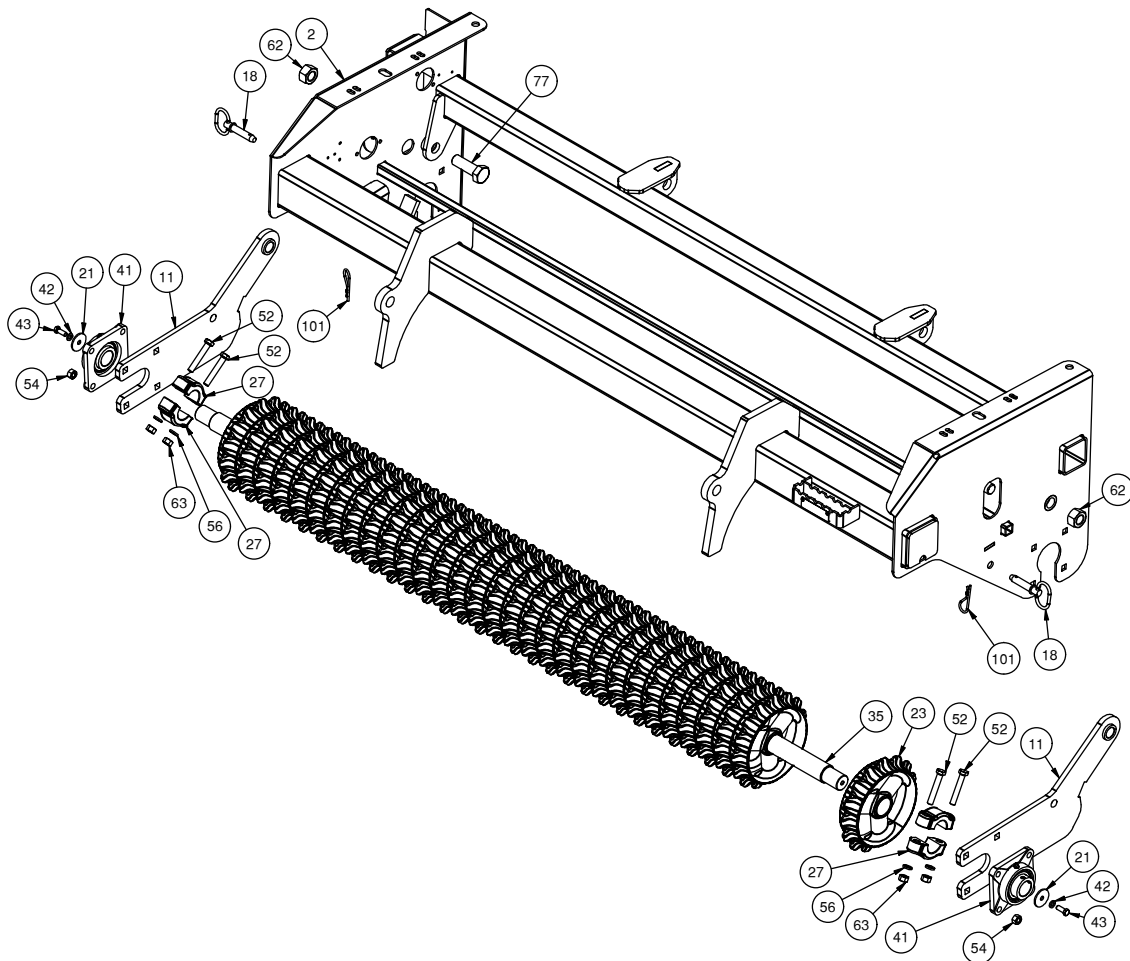
PARTS INFORMATION

ITEM	QTY	PART NUMBER	DESCRIPTION	STOCK NO
2	1	317761	FRAME SEEDER 72 W/A	
4	1	317603	ROLLER 72 W/A	
	1	424218	ROLLER 96 W/A	
21	2	202830	WASHER PLATE .37 X 1.75 X .13	
24	32(72) /43 (96)	317657	ROLLER CAST 12	
41	2	319085	BRG 1 1/2 4-B FLG B-TYPE	
42	2	103880	WASHER SPLIT LOCK	3/8
43	2	13105	BOLT HEX	3/8 X 1 NC GR 5
54	8	37214	NUT HEX	1/2 REV LOCK
57	2	37212	NUT HEX	3/8 REV LOCK
60	2	13116	BOLT HEX	3/8 X 3-1/4 NC GR 5
66	6	33630	WASHER SPLIT LOCK	5/8
68	8	318277	BOLT CARR SHORT NECK	1/2 X 1-1/2 NC
74	2	13053	BOLT HEX	5/16 X 3/4 NC GR 5
75	6	13314	BOLT HEX	5/8 X 2-3/4 NC GR 5
80	2	317701	BUSH 2.75 X 1.8 X 3 W/H PAINTED	
85	2	317737	PLATE RETAINER DISK PNTD	
100	1	330864	HOLDER MANUAL CANISTER 12.5 X 2.25	



PARTS INFORMATION

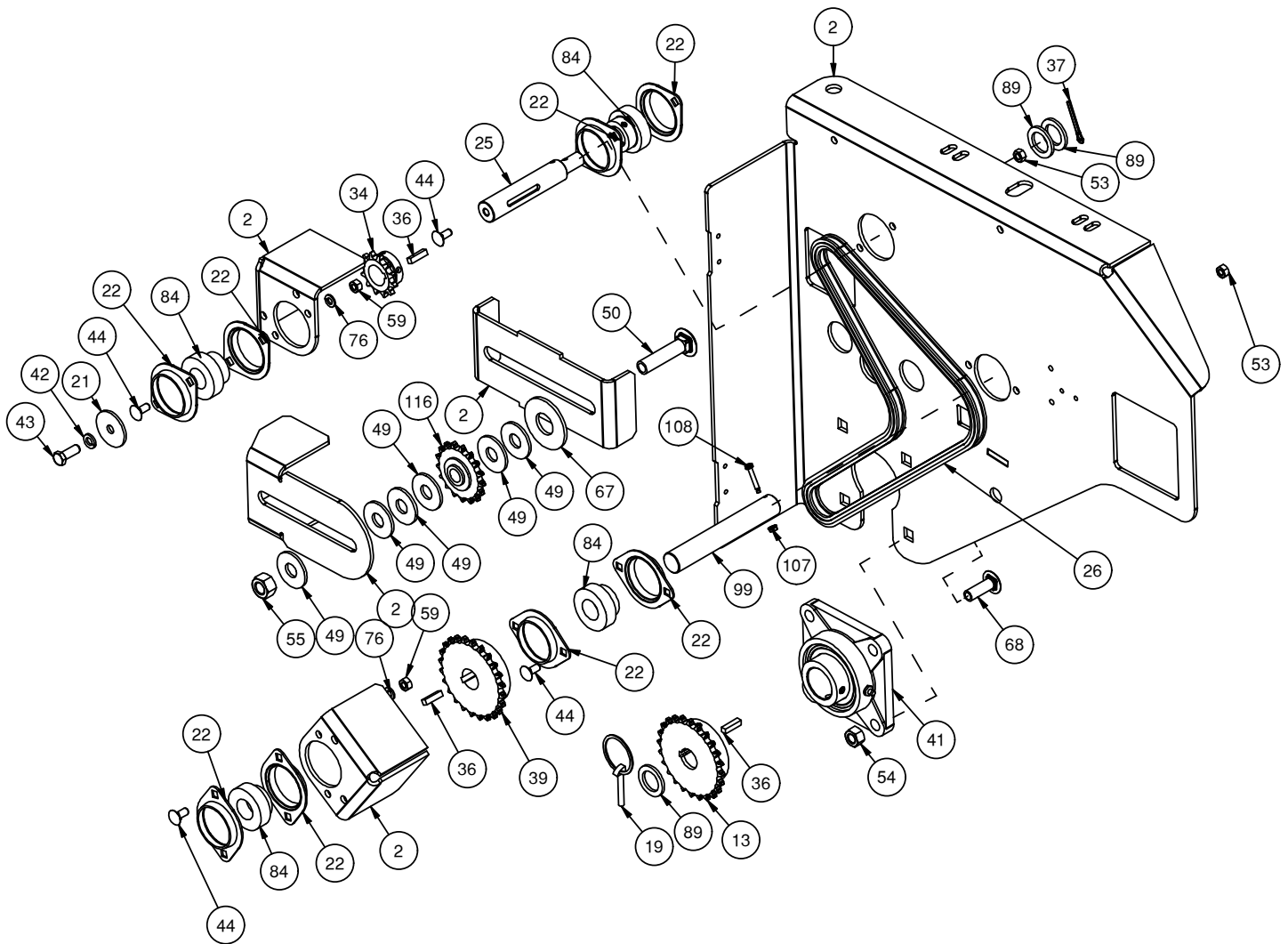
ITEM	QTY	PART NUMBER	DESCRIPTION	STOCK NO
2	1	317761	FRAME SEEDER 72 W/A	
	1	317762	FRAME SEEDER 96 W/A	
11	2	317685	ARM TRAILING ROLLER W/A	
18	2	201405	PIN HITCH 5/8 X 2-3/4	
21	2	202830	WASHER PLATE .37 X 1.75 X .13	
23	31(72) /42 (96)	317656	ROLLER CAST 9.5	
27	4	317641	CLAMP SHAFT 1.75	
35	1	317666	SHAFT 1.75 X 82.69	
	1	424239	SHAFT 1.75 X 106.69	
41	2	319085	BRG 1 1/2 4-B FLG B-TYPE	
42	4	103880	WASHER SPLIT LOCK	3/8
43	2	13105	BOLT HEX	3/8 X 1 NC GR 5
51	8	21969	BOLT CARRIAGE	1/2 X 1-3/4 NC GR 5
52	4	13215	BOLT HEX	1/2 X 3 NC GR 5
54	8	37214	NUT HEX	1/2 REV LOCK
56	4	33626	WASHER SPLIT LOCK	1/2
62	2	37219	NUT HEX	1 REV LOCK
63	4	36110	NUT HEX FULL	1/2 NC GR 2 Z
77	2	13465	BOLT HEX	1 X 3 NC GR 5
101	2	104410	PIN CLIP #9 5/32 X 3-1/16	



PARTS INFORMATION

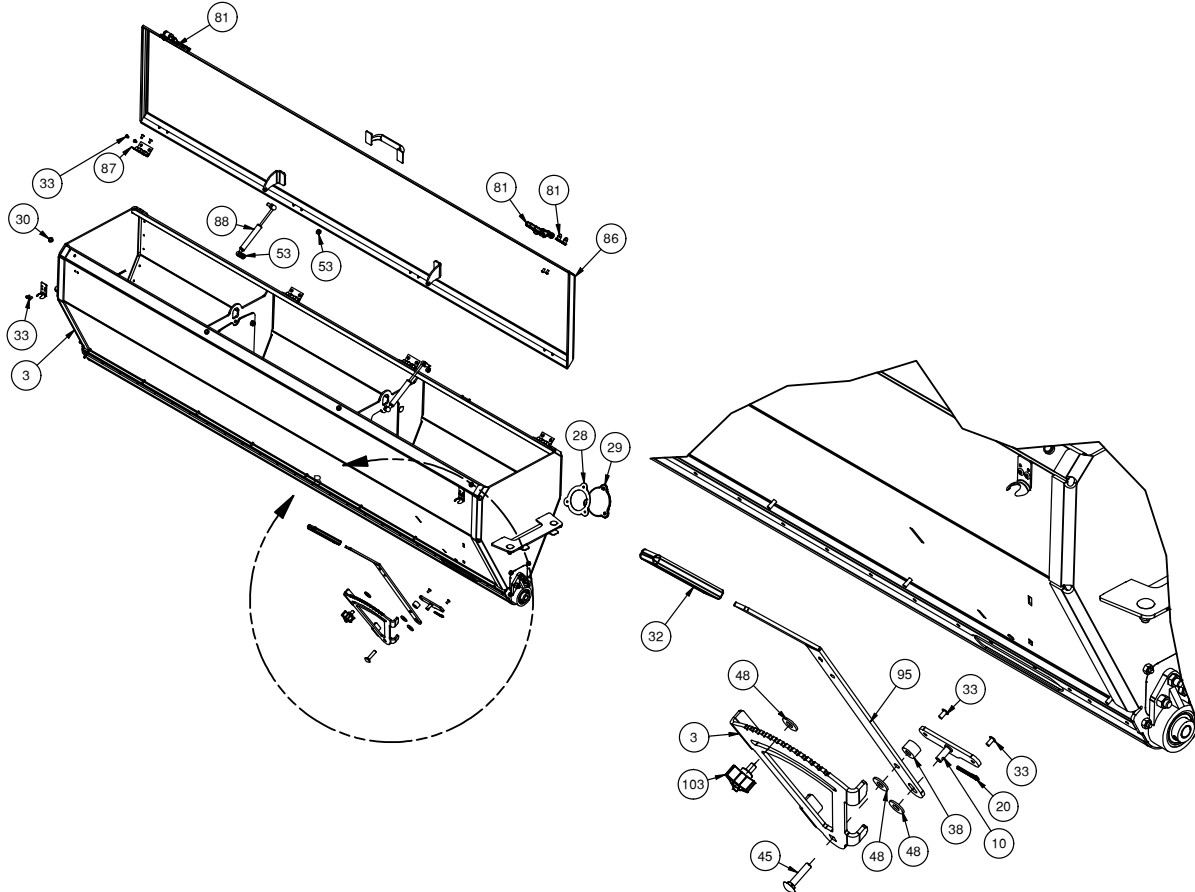
ITEM	QTY	PART NUMBER	DESCRIPTION	STOCK NO
2	1	317761	FRAME SEEDER 72 W/A	
	1	317762	FRAME SEEDER 96 W/A	
13	1	317609	SPROCKET 40B 12 X 24 W/A	
19	1	315308	PIN LYNCH 1/4 X 1-3/4	
21	4	202830	WASHER PLATE .37 X 1.75 X .13	
22	8	200300	FLANGETTE (BEARING 202988)	
25	1	317651	DRIVESHAFT METER Z	
26	1	100528	CHAIN ROLLER NO 40 X 91P 2 C/L	
34	1	100539	SPROCKET 40B12 X 1 B	
36	3	300251	KEY SQ 1/4 X 1	
37	1	65105	PIN COTTER 5/32 X 1-1/2	
39	1	317649	SPROCKET 40B24 X 1 B	
41	1	319085	BRG 1 1/2 4-B FLG B-TYPE	
42	1	103880	WASHER SPLIT LOCK	3/8
43	1	13105	BOLT HEX	3/8 X 1 NC GR 5
44	8	21810	BOLT CARRIAGE	5/16 X 3/4 NC GR 5
49	6	33016	WASHER FLAT	USS 5/8
50	1	21837	BOLT CARRIAGE	5/8 X 2-3/4 NC GR 5 Z
53	4	37211	NUT HEX	5/16 REV LOCK
54	4	37214	NUT HEX	1/2 REV LOCK
55	1	37216	NUT HEX	5/8
59	4	36304	NUT HEX	5/16
67	1	33022	WASHER FLAT	1
68	4	318277	BOLT CARR SHORT NECK	1/2 X 1-1/2 NC
76	4	33620	WASHER SPLIT LOCK	5/16
84	4	202988	BRG INSERT 1 NG (LC)	
89	3	33446	WASHER MB 1 10GA NARROW	
99	1	317648	DRIVESHAFT SEEDER Z	
107	1	37406	NUT LOCK EXT TOOTH 8-32 UNC GR 5	
108	1	330967	BOLT SHOULDER 3/16 X 1 (8-32) UNC	
116	1	424255	SPROCKET IDLER 40C17 X .63	

PARTS INFORMATION



PARTS INFORMATION

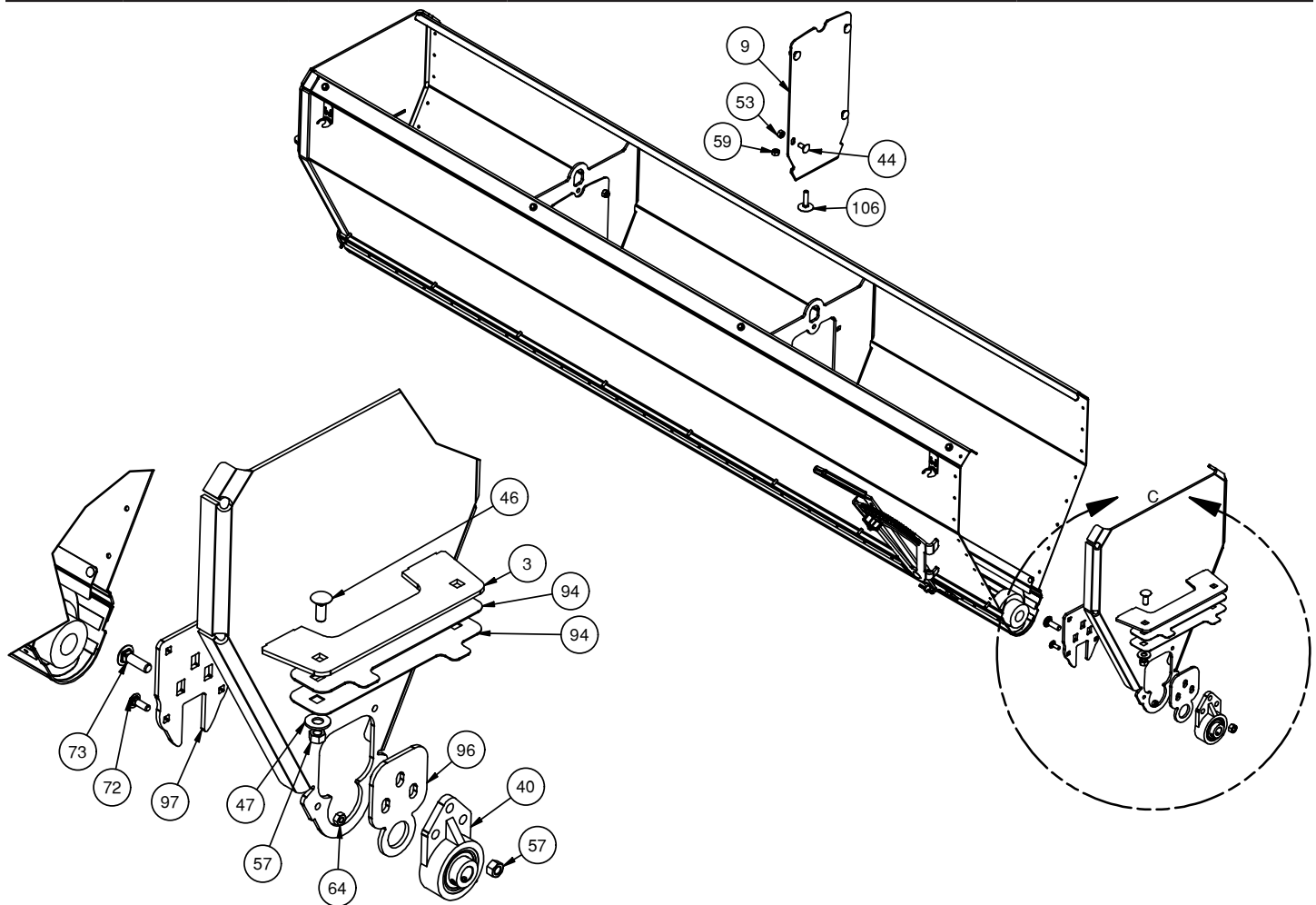
ITEM	QTY	PART NUMBER	DESCRIPTION	STOCK NO
3	1	317774-01	SEEDERBOX 72 W/A	
	1	317775-01	SEEDERBOX 96 W/A	
10	1	317719	SLIDE GATE CONNECTOR W/A	
20	1	65076	PIN COTTER 1/8 X 1	
28	3(72) /4 (96)	317659	GASKET SIGHT GLASS	
29	3(72) /4 (96)	317650	SHIELD PLASTIC CLEAR	
30	6	317667	BUMPER RUBBER BUTTON .50	
32	1	317684	HANDLE VINYL	
33	28	41125	RIVET 3/16 STEEL #64	
38	1	317717	BUSH .75 X .31 X .5 AL	
45	1	21813	BOLT CARRIAGE	5/16 x 1-1/2 NC GR 5
48	3	33006	WASHER FLAT	USS 5/16
53	4	37211	NUT HEX	5/16 REV LOCK
81	3	317605	LATCH RUBBER 4.63 W/BRKT	
86	1	423257	COVER SEED BOX 72 W/A PAINTED	
	1	423259	COVER SEED BOX 96 W/A PAINTED	
87	4	330942	HINGE 2 X 2 HD	
88	2	317703	CYLINDER GAS 7.4	
95	1	422891	BRKT HANDLE METERING Z	
103	1	423264	KNOB PLASTIC 5/16 X 1/2 NC STUD	



DETAIL B
SCALE 1 / 6

PARTS INFORMATION

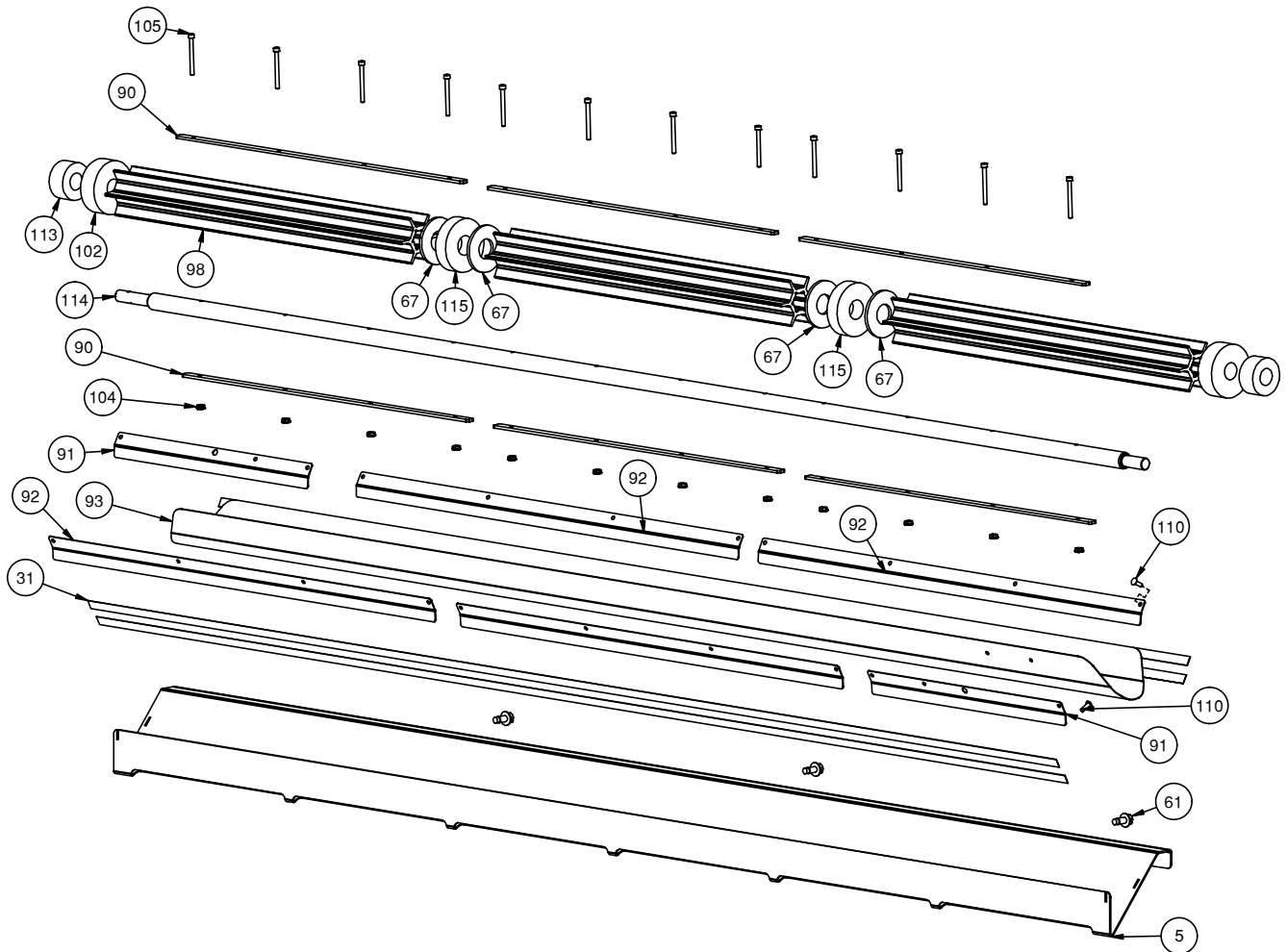
ITEM	QTY	PART NUMBER	DESCRIPTION	STOCK NO
3	1	317774-01	SEEDERBOX 72 W/A	
	1	317775-01	SEEDERBOX 96 W/A	
9	2(72) /3(96)	423274	SEED BOX BROADCAST TENSIONER W/A	
40	2	317676	BRG 5/8 3-B FLG B-TYPE	
44	8	21810	BOLT CARRIAGE	5/16 X 3/4 NC GR 5
46	2	21817	BOLT CARRIAGE	3/8 X 1 NC GR 5
47	8	33008	WASHER FLAT	USS 3/8
53	8	37211	NUT HEX	5/16 REV LOCK
57	2	37212	NUT HEX	3/8 REV LOCK
59	2	36304	NUT HEX	5/16 NC GR 5 Z
64	4	37210	NUT HEX	1/4 NC GR 5 Z
72	4	21801	BOLT CARRIAGE	1/4 X 3/4 NC GR 5
73	3	21818	BOLT CARRIAGE	3/8 X 1-1/4 NC GR 5
94	4	424251	PLATE SPACER SEED BOX	
96	1	317770-01	PLATE BEARING SPACER	
97	1	317771-01	PLATE BEARING BACKER	
106	2	330963	BOLT ELEV 5/16-18 X 1-1/2 UNC GR A	



DETAIL C
SCALE 1 / 6

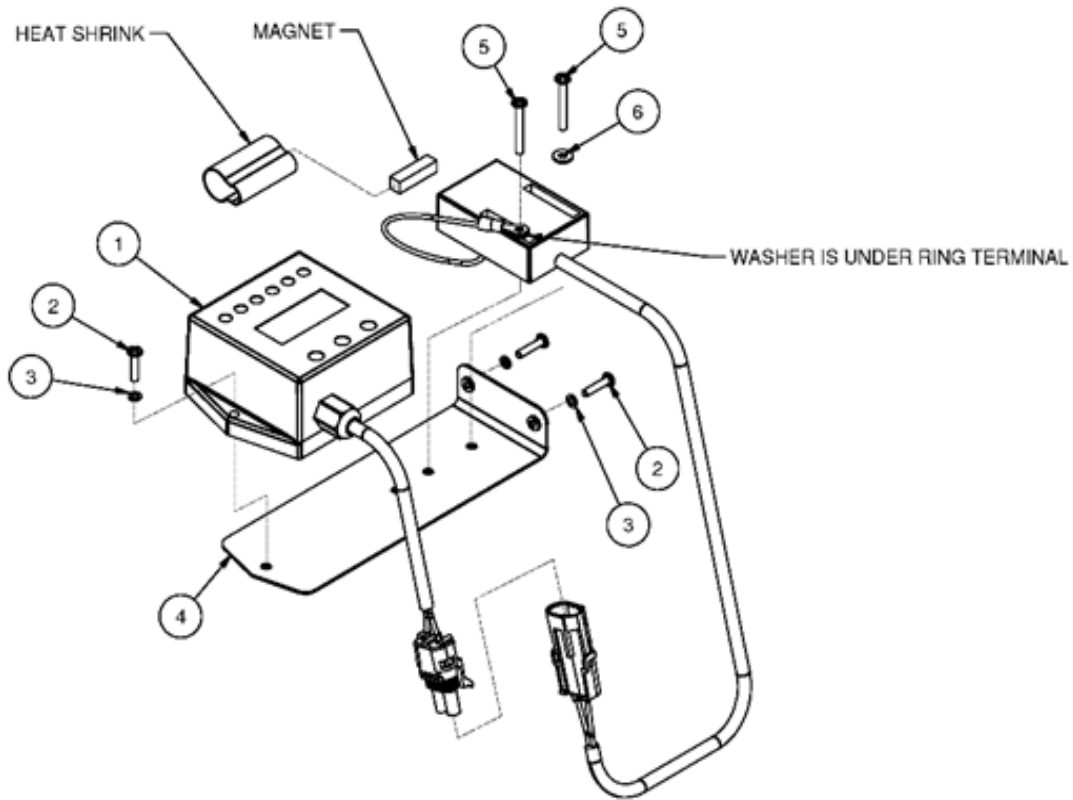
PARTS INFORMATION

ITEM	QTY	PART NUMBER	DESCRIPTION	STOCK NO
5	1	422876	DEFLECTOR SEED 72 W/A	
	1	422879	DEFLECTOR SEED 96 W/A	
31	4	317733	TAPE UHMW .022 X .5 X 71	
	4	420303	TAPE UHMW .022 X .5 X 96	
61	3	32455	BOLT FLG THRD RLNG	5/16 X 3/4 UNF
67	4	33022	WASHER FLAT	USS 1
90	6(72) 8 (96)	317691	PLATE RETAINER AGITATOR	
91	2	424247	BRKT RETAINER SEED GATE 14.37	
92	4	424246	BRKT RETAINER SEED GATE 28.37	
93	1	424240	BRKT SEED GATE SLIDE 72	
98	3	423299	ROTOR RUBBER 2.75 OD X 22	
102	2	423394	IDLER PLASTIC 2.85 OD X 1 HEX .88	
104	12	70924	NUT LOCK EXT TOOTH	10-24 UNC SS
105	12	73444	BOLT SHCS	10-24 X 2 UNC SS
110	17	62180	RIVET 3/16 X 3/8 CLOSED	
113	2	424248	IDLER PLASTIC 2.00 OD X 1 HEX .88	
114	1	317772	SHAFT RND .875 X 76.25 W/H Z	
	1	317773	SHAFT RND .875 X 100.25 W/H Z	
115	2 (72) 3 (96)	424249	IDLER PLASTIC 2.85 OD X .75 RND	



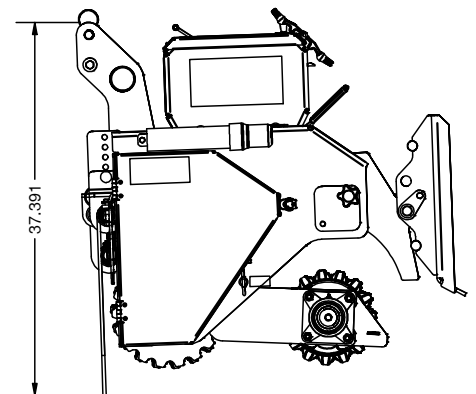
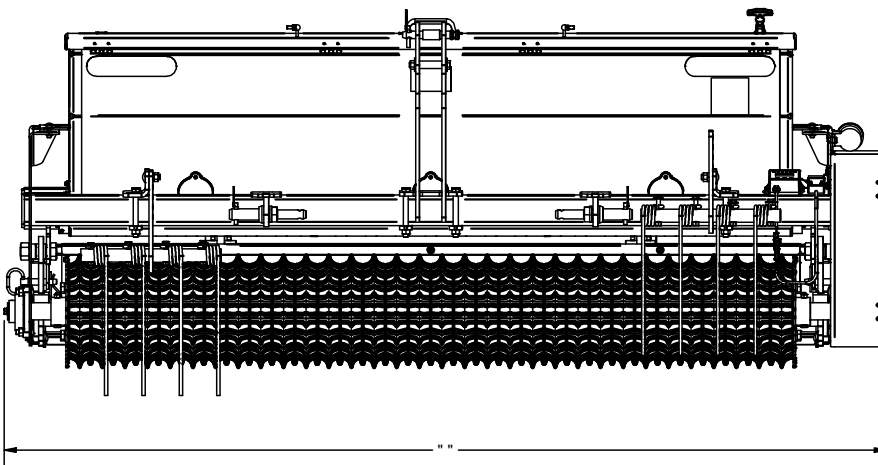
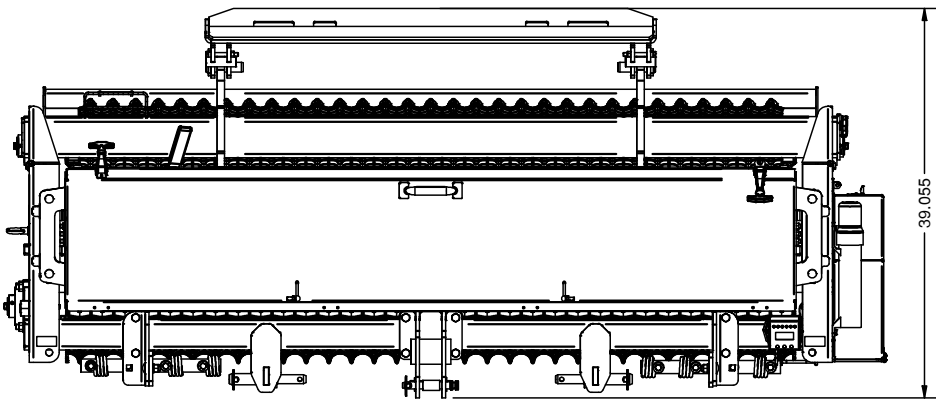
PARTS INFORMATION

ITEM	QTY	PART NUMBER	DESCRIPTION	STOCK NO.
		317748	PKG ACRE METER	
1	1	317745	METER ACRE	
2	4	28810	SCREW MACHINE 6-32 X 5/8	(ACRE METER HDW KIT 37741)
3	4	33610	WASHER LOCK #6	(ACRE METER HDW KIT 37741)
4	1	317740	BRKT ACRE MNT ASSM PNTD	(UNPAINTED 317739)
5	2	28830	SCREW MACHINE 6-32 X 1-1/8	(ACRE METER HDW KIT 37741)
6	2	33070	WASHER FLAT SAE #6	(ACRE METER HDW KIT 37741)



GENERAL SPECS

Model	Landscape Seeder	
Part Number	900812	900814
Overall Width	88"	112"
Overall Height	34.5"	
Seeding Width	72"	96"
Opening Spacer	3"	
Hopper Capacity	5.75 bushels	8.0 Bushels
Approximate Weight	1,400 lb.	1,800 lb.
Operating Speed	3-5 MPH	



SEED RATES

SEED RATES FOR BROADCAST & LANDSCAPE SEEDER

RATES ARE INTENDED AS A GUIDE ONLY. VARIATION IN SIZE AND CLEANLINESS WILL AFFECT RATES. CHECK ACREAGE AND POUNDS OF SEED USED FOR BEST RESULTS.

	Seed Rate in Pounds Per Acre											
Meter Setting	1	2	3	4	5	6	7	8	9	10	11	12
Alfalfa	-	2.1	8.9	39.6	107	209	-	-	-	-	-	-
Red Clover	-	3.1	23.6	65.3	164	285	-	-	-	-	-	-
Rapeseed	-	1.4	5.2	26.9	63.3	171	-	-	-	-	-	-
Turnips	-	3.2	14.6	61.8	92.2	289	-	-	-	-	-	-
Grass Blend	-	-	-	-	-	-	4.9	19.1	28.5	65.2	85.3	107
Rye Grass	-	-	-	-	-	22.8	68.1	135	302	-	-	-
Oats	-	-	-	3.8	6.3	12.9	18.8	38.4	57.3	98.8	138	172

SEED BOX MAY BE CALIBRATED FOR UNLISTED SEEDS AS FOLLOWS:

(SEE MANUAL FOR GREATER DETAIL)

1. RAISE AND SECURE THE PLANTER SO THE DRIVE ROLLER CAN BE ROTATED FREELY.
2. PLACE A COLLECTION TRAY UNDER THE SLIDE GATE TO CATCH THE SEED.
3. ROTATE THE DRIVE ROLLER CLOCKWISE 48.5 TIMES FOR 72" & 36.5 TIMES FOR 96" SEEDER.
4. WEIGH SEED AND MULTIPLY BY 50 FOR APPROXIMATE PLANTING RATE IN LBS/ACRE.

423252 B



LIMITED WARRANTY

Quick Attach Attachments, LLC warrants each new machine manufactured by us to be free from defects in material and workmanship for a period of twenty-four (24) months from date of delivery to the original purchaser.

Our obligation under this warranty is to replace free of charge, at our factory or Direct Outlet locations, any part proven defective within the stated warranty time limit.

All parts must be returned freight prepaid and adequately packaged to prevent damage in transit.

This warranty does not cover:

1. New products which have been operated in excess of rated capacities or negligence
2. Misuse, abuse, accidents or damage due to improperly routed hoses
3. Machines which have been altered, modified or repaired in any manner not authorized by our company
4. Previously owned equipment
5. Any ground engaging tools in which natural wear is involved, i.e. tooth tips, cutting teeth, etc
6. Normal maintenance
7. Fork tines
8. Hydraulic motors that have been disassembled in any manner

In no event will the Sales Representative, Direct Outlet, Quick Attach Attachments, LLC, or any other company affiliated with it or them be liable for incidental or consequential damages or injuries, including but not limited to the loss of profit, rental or substitute equipment or other commercial loss. Purchaser's sole and exclusive remedy being as provided here in above.

Quick Attach Attachments, LLC must receive immediate notification of defect and no allowance will be made for repairs without our consent or approval.

This warranty is in lieu of all other warranties, express or implied by law or otherwise, and there is no warranty of merchantability or fitness purpose.

No agent, employee, or representative of Quick Attach Attachments, LLC has any authority to bind Quick Attach Attachments, LLC to any warranty except as specifically set forth herein. Any of these limitations excluded by local law shall be deemed deleted from this warranty; all other terms apply.

This warranty may not be enlarged or modified in any manner except in writing signed by an executive officer of Quick Attach Attachments, LLC to improve its products whenever it is possible and practical to do so. Quick Attach Attachments, LLC reserves the right to make changes and or add improvements at any time without incurring any obligation to make such changes or add such improvements to products previously sold.

Quick Attach Attachments, LLC
P.O. Box 128 Alexandria, MN 56308
Phone (320) 759-1551
Fax (320) 759-1590

