

ROCK HAUL

MODELS 60" / 72" / 84"

Operator's Manual

Maintenance & Parts Information



Read this Manual Before Use

TABLE OF CONTENTS

SAFETY	3-4
DECAL INFORMATION	5-6
MOUNTING INSTRUCTIONS	7-8
OPERATING INSTRUCTIONS	9
MAINTENANCE	10
TORQUE INFORMATION	11
PARTS INFORMATION	12-14
GENERAL SPECS	15
NOTES	16-18
WARRANTY	19

NOTE: Write your serial number for your attachment in the spaces below. Always refer to this serial number when calling for services parts.

Serial Number

Attachment Dealer

Address

Phone Number

Contact

NOTE: Quick Attach LLC reserves the right to make improvements in design or changes in specifications at any time without notice and without incurring any obligations to install them on units previously sold.

SAFETY

DO NOT use or perform maintenance on this machine until this manual has been read and understood. In addition, read the Operation and Maintenance Manual(s) pertaining to the attachment and the attachment carrier (“Loader”).

The user is responsible for inspecting the machine daily, and for having parts repaired or replaced when continued use of the machine would cause damage, excessive wear to other parts or make the machine unsafe for continued operation.

If an operating procedure, tool device, maintenance or work method not specifically recommended is used; you must satisfy yourself that it is safe for you and others. You must also ensure that the attachment will not be damaged or made unsafe by the procedures you choose.

Quick Attach LLC cannot anticipate every possible circumstance that might involve potential hazard. The safety messages found in this manual and on the machine are therefore not all inclusive.

The signal words **CAUTION**, **WARNING**, or **DANGER** are used to indicate hazards.

CAUTION

Indicates a potentially hazardous situation which, if not avoided, may result in minor or moderate injury.

WARNING

Indicates a potentially hazardous situation which, if not avoided, could result in death or serious injury.

DANGER

Indicates a potentially hazardous situation which, if not avoided, will result in death or serious injury.

The word **IMPORTANT** is used in the text when immediate damage will occur due to improper technique or operation.

The word **NOTE** is used to convey information that is out of context with the manual text; special information such as specifications, techniques, reference information, and other information of a supplementary nature.

SAFETY

Improper operation can cause serious injury or death.

PRE-OPERATION

- **NEVER** use this attachment for purposes other than intended.
- Read the operator's manual for the "Skid Steer Loader". **NEVER** allow untrained people to operate.
- Operating instructions must be given to everyone before operating this machine and at least once a year thereafter in accordance with OSHA regulations.
- **NEVER** exceed the maximum recommended input power or speed specifications for the attachment. Over-powering or over-speeding the attachment may cause personal injury and/or machine damage.
- Keep all shields, guards, and covers in place.
- Do not modify equipment or add attachments that are not approved by Quick Attach LLC.
- Use adequate safety warning lights and devices as required by local regulations. Obey all local laws and regulations regarding machine operation on public property.

OPERATION

- Always wear eye protection that meets z87.1 or use with a loader enclosure that provides similar protection.
- Hydraulic connections may be hot after use. Use gloves if connecting or disconnecting after use.
- Check and be sure all operating controls are in neutral before starting the engine.
- Keep people away from loader and attachment when in use. This attachment lifts objects and has moving parts. **NEVER** lift load directly over people - load could fall.

OPERATION (continued)

- To avoid electric shock or electrocution, **NEVER** operate attachment near overhead power lines.
- **NEVER** operate near embankments or terrain that is so steep that rollover could occur.
- Always stay in the operator position when using the attachment.
- Before leaving the operators position, disengage hydraulic drive, lower the attachment to rest flat on the ground, stop engine, set park brake, and wait for all motion to stop.
- **NEVER** place hands near moving parts or clear debris while engine is running.

AVOID HIGH PRESSURE FLUIDS HAZARD

- Escaping fluid under pressure can penetrate the skin causing serious injury.
- Avoid the hazard by relieving the pressure before disconnecting hydraulic lines.
- Use a piece of paper or cardboard, **NOT BODY PARTS**, to check for suspected leaks. Wear protective gloves and safety glasses or goggles when servicing or performing maintenance on hydraulic systems.
- If an accident occurs, see a doctor immediately. Any fluid injected into the skin must be surgically removed within a few hours or gangrene may result.

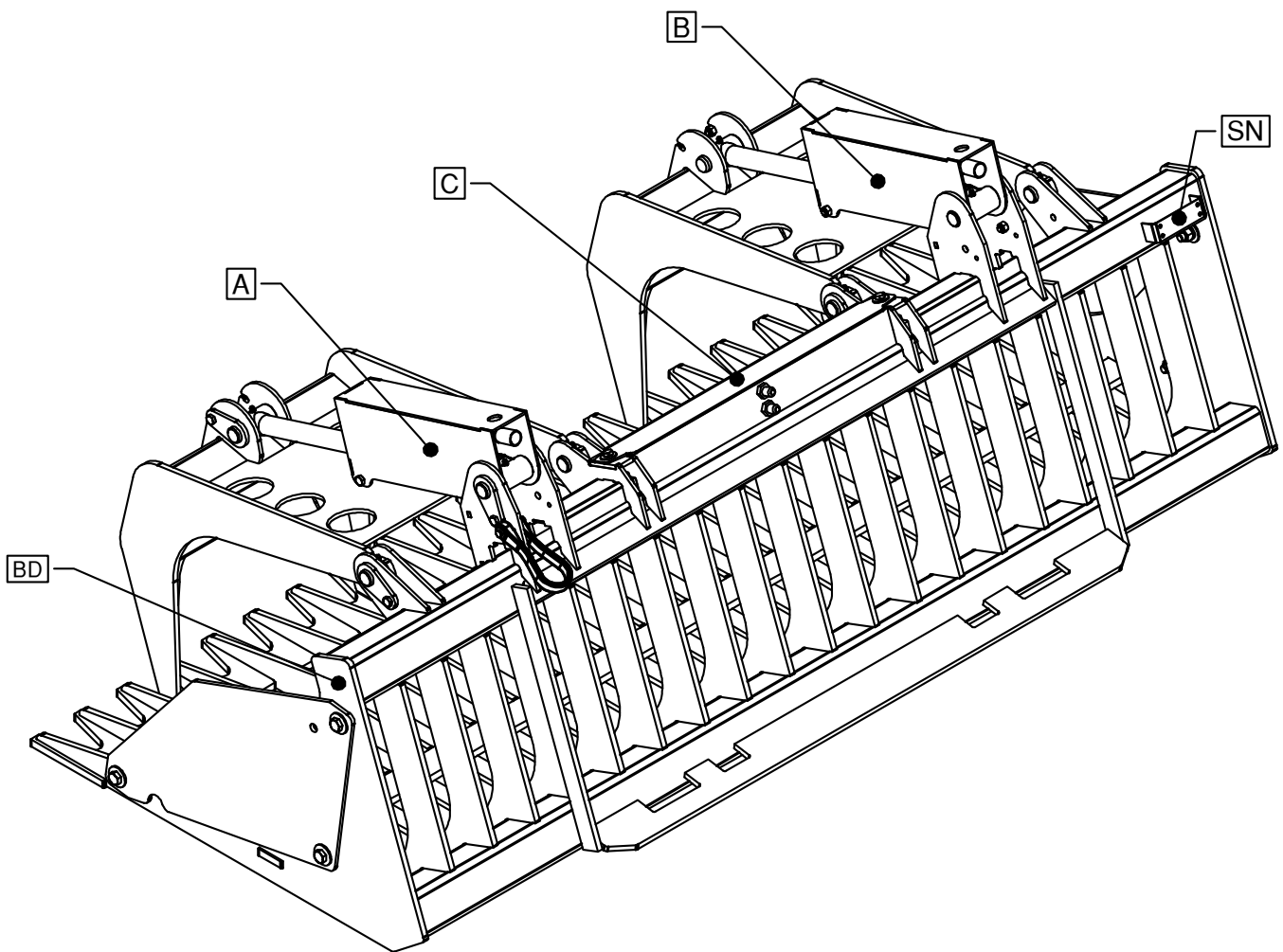
MAINTENANCE

- **NEVER** make adjustments, lubricate, clean, or perform any service on the machine while it is in operation.
- Make sure the attachment is serviced on a daily basis. Improper maintenance can cause serious injury or death in addition to damage to the attachment and/or your equipment.

DECAL INFORMATION

Serial Number Location:

It is important to refer to the serial number of your attachment when making repairs or ordering parts. Early or later models (identification made by serial number) may use different parts, or it may be necessary to use different procedures in doing a specific operation. Please see below for Serial Plate location.



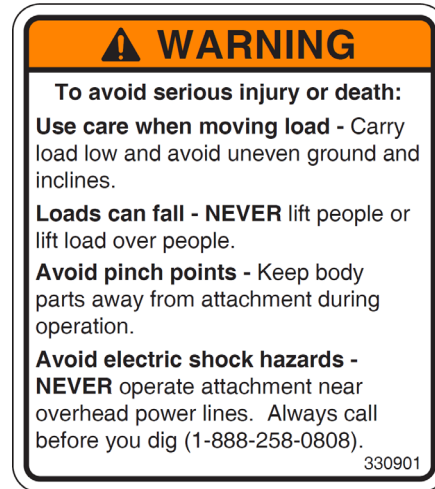
DECAL INFORMATION

A



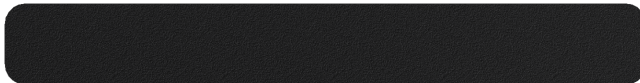
Part number: 200001
 Location: On outside LH cylinder guard
 Quantity: 1

B



Part number: 330901
 Location: On outside RH cylinder guard
 Quantity: 1

C



Part Number: 202153 (ANTI-SKID TAPE 2 X 16)
 Location: Top of hose cover
 Quantity: 1

BD



1-866-428-8224
 P.O. Box 128 • Alexandria, MN 56308 • USA

Brand Decal: Small Decal
 Location: On each endplate
 Quantity: 2

Safety Decals Locations:

The locations of the safety decals are shown. If these decals are missing, damaged, or painted over they must be replaced. Call Quick Attach LLC (320-759-1551) for replacement decals.

MOUNTING INSTRUCTIONS

After the initial set-up assembly is completed use the following procedure to mount the attachment to the loader for user operation.

⚠ WARNING

Coupler wedges or pins must extend through holes in attachment. Levers must be fully down and locked. Failure to secure wedges or pins can allow the attachment to come off and cause injury or death.



1. Use the step, safety treads, and grab handles to get on and off the loader and attachment.
2. Sitting in the operator's seat, lower seat bar (if so equipped) and fasten the seat belt.
3. Drive the loader to the rear of the attachment. Put the loader quick attach coupler into the attachment mounting bracket.
4. Tilt the loader coupler backward a small amount until it is fully engaged in the attachment mounting bracket.
5. Stop the engine and engage the park brake.
6. Secure the coupler locking mechanism that attaches the attachment to the loader.
7. Connect the hydraulic quick couplers from the attachment to the loader.
8. Make sure the hoses are properly routed to fit your specific loader. If the hoses are not routed correctly, hoses may get pinched or rub on tires. Be sure to check the hose routing through the full range of intended motion of the attachment before operating it.

MOUNTING INSTRUCTIONS

IMPORTANT: Wipe the ends of the hydraulic quick couplers (both lead and loader) with a rag to remove any possible contamination. Contamination can cause hydraulic components to fail and is not covered under warranty.

IMPORTANT: Make sure the quick couplers are fully engaged. If the quick couplers do not fully engage, check to see that the couplers are the same size and brand. Do not force the quick couplers together.



NOTE: See the loader's operator's manual for auxiliary hydraulic specifications and connection instructions.

NOTE: Attachment is shipped with 8FJX (1/2" Female JIC Swivel) fittings on the ends of the lead hoses.

NOTE: More than one routing may be acceptable depending on the loader. Pick the routing that best suits your loader.

IMPORTANT: Proper hose routing is the responsibility of the owner and/or operator. Pinched or stretched hoses are not covered under warranty.

NOTE: Mounting is now complete and the attachment is ready for operation. Use reverse order of above instructions to dismount the attachment from the loader.

OPERATING INSTRUCTIONS



1. With the operator in the seat of the loader, the seat belt fastened, and the seat bar lowered (if so equipped), start the engine.
2. Raise the attachment slightly off of the ground.
3. Activate the loader's auxiliary hydraulics to open and close the grapple in order to pick up and move debris/objects.



⚠ WARNING

If the grappled object appears or becomes unstable or unbalanced, lower the attachment to the ground and repeat the grappling process until the object being lifted remains stable the entire time it is being lifted and moved.

⚠ WARNING

To avoid injury or death, do not allow any person to be directly under grapple or load at any time.

⚠ WARNING

Carry load as low as possible to avoid serious injury or death from tipover or falling load.

⚠ CAUTION

NEVER exceed the skid steer's rated lift capacity.

ROUTINE MAINTENANCE

⚠ WARNING

Lower the attachment to rest flat on the ground, shut down the engine, relieve the hydraulic pressure to the attachment, set the park brake, and wait for all motion to stop before leaving the operator's seat to perform service of any kind.

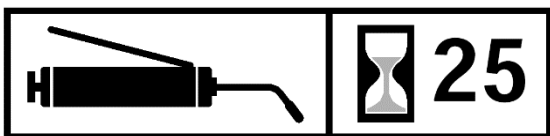
It is the operator's responsibility to make daily inspections of the loader and attachment for damage, loose bolts, fluid leaks, or anything else that could cause a potential service or safety problem. Preventive maintenance is the easiest and least expensive type of maintenance.

IMPORTANT: Bolts can loosen after initial usage. After the first hour of operation check all bolts.

LUBRICATION

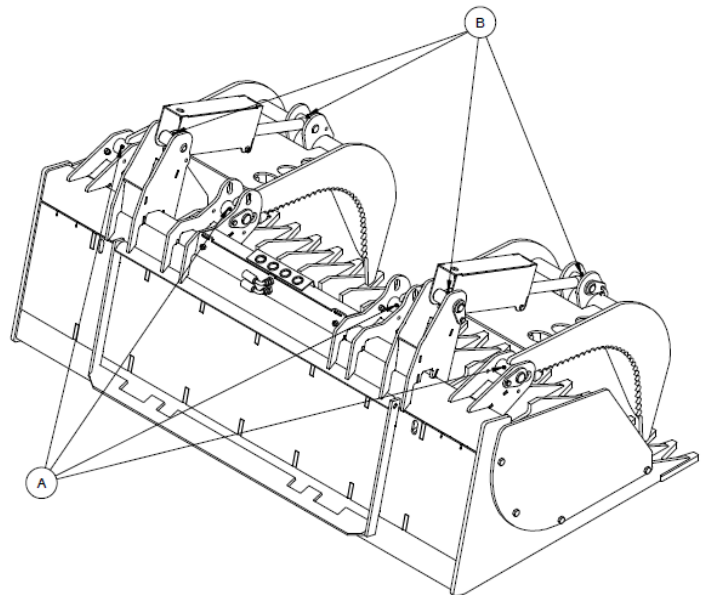
Lubrication Legend	 Multipurpose spray lube	 Multipurpose grease lube	 Multipurpose oil lube	 50 Intervals at which lubrication is required
---------------------------	---	--	--	--

Use No. 2 lithium base gun grease when lubricating all attachment grease fittings.



Grease all four hinge bushings [A] every 8 hours of operation, or more frequently during heavy use.

Grease all four cylinder zerks [B] every 8 hours of operation, or more frequently during heavy use.



TORQUE INFORMATION

Torque-Tension Relationships for SAE J429 Grade Bolts

Nominal Thread Size	SAE J429 Grade 2			SAE J429 Grade 5			SAE J429 Grade 8		
	Clamp Load (lbs)	Tightening Torque		Clamp Load (lbs)	Tightening Torque		Clamp Load (lbs)	Tightening Torque	
		K = .15	K = .20		K = .15	K = .20		K = .15	K = .20
Unified Coarse Thread Series									
1/4-20	1,300	49 in-lbs	65 in-lbs	2,000	75 in-lbs	100 in-lbs	2,850	107 in-lbs	143 in-lbs
5/16-18	2,150	101	134	3,350	157	210	4700	220	305
3/8-16	3,200	15 ft-lbs	20 ft-lbs	4,950	23 ft-lbs	31 ft-lbs	6,950	32.5 ft-lbs	44 ft-lbs
7/16-14	4,400	24	30	6,800	37	50	9,600	53	70
1/2-13	5,850	36.5	49	9,050	57	75	12,800	80	107
9/16-12	7,500	53	70	11,600	82	109	16,400	115	154
5/8-11	9,300	73	97	14,500	113	151	20,300	159	211
3/4-10	13,800	129	173	21,300	200	266	30,100	282	376
7/8-9	11,425	125	166	29,435	321	430	41,550	454	606
1-8	15,000	187.5	250	38,600	482.5	640	54,540	680	900
Unified Fine Thread Series									
1/4-28	1,500	55 in-lbs	75 in-lbs	2,300	85 in-lbs	115 in-lbs	3,250	120 in-lbs	163 in-lbs
5/16-24	2,400	112	150	3,700	173	230	5,200	245	325
3/8-24	3,600	17 ft-lbs	22.5 ft-lbs	5,600	26 ft-lbs	35 ft-lbs	7,900	37 ft-lbs	50 ft-lbs
7/16-20	4,900	27	36	7,550	42	55	10,700	59	78
1/2-20	6,600	41	55	10,200	64	85	14,400	90	120
9/16-18	8,400	59	79	13,000	92	122	18,300	129	172
5/8-18	10,600	83	110	16,300	128	170	23,000	180	240
3/4-16	15,400	144	193	23,800	223	298	33,600	315	420
7/8-14	12,610	138	184	32,480	355	473	45,855	500	668
1-12	16,410	205	273	42,270	528	704	59,670	745	995

Clamp load estimated as 75% of proof load for specified bolts.

Torque values for 1/4 and 5/16 inch series are in inch-pounds. All other torque values are in foot-pounds.

Torque values calculated from formula $T = KDF$

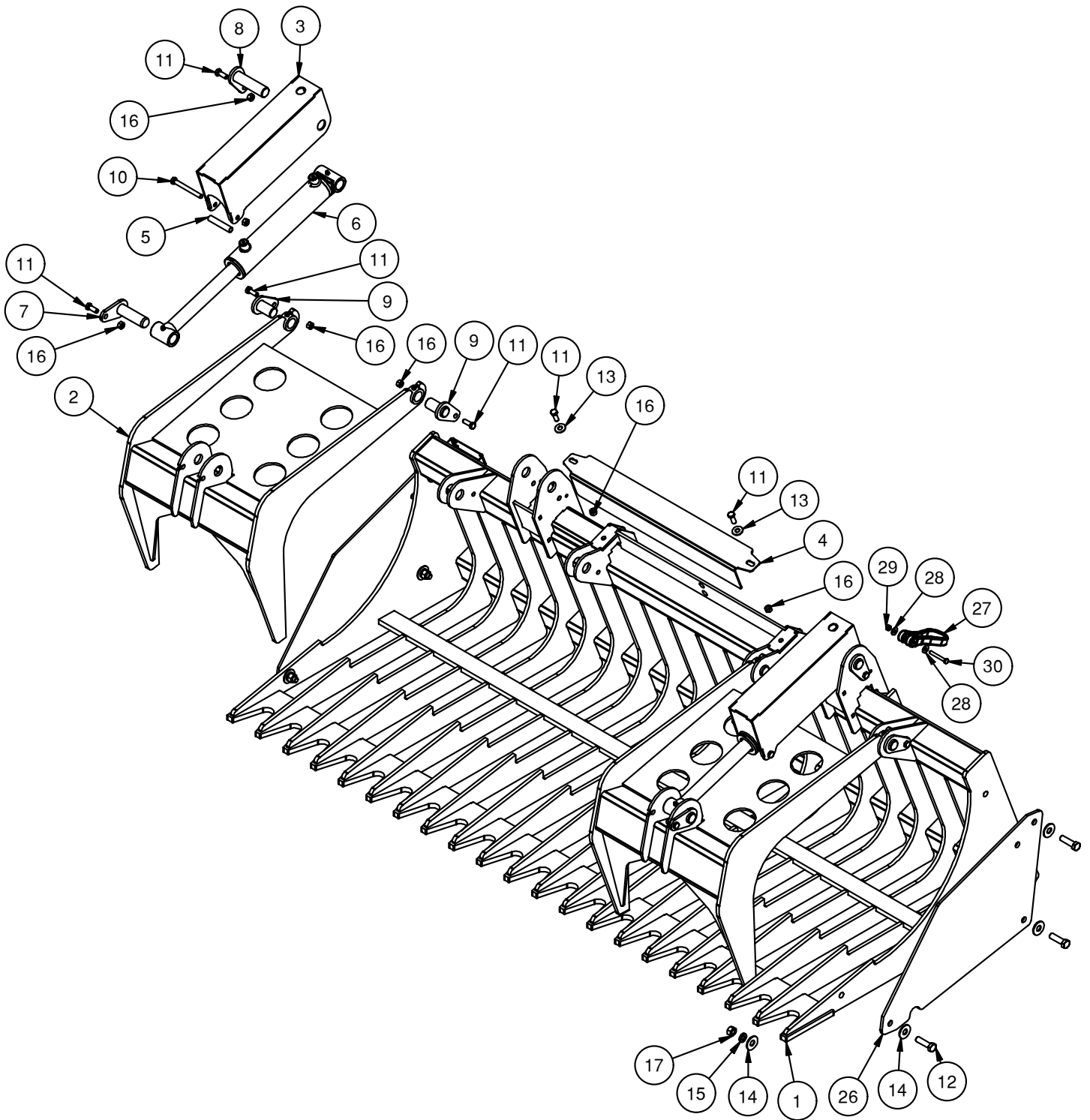
where: $K=0.15$ for "lubricated" conditions

$K=0.20$ for "dry" conditions

PARTS INFORMATION

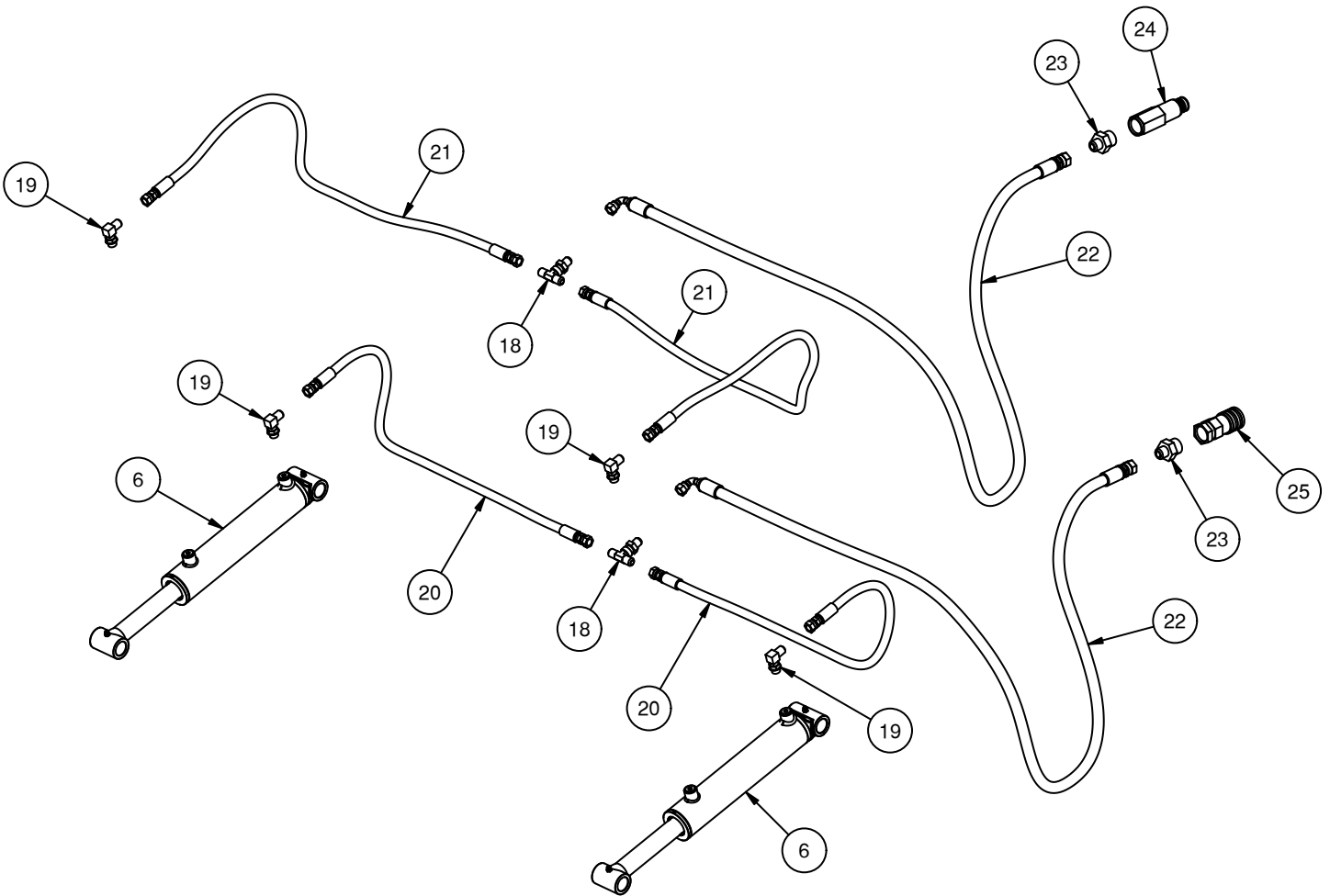
ITEM	QTY	PART NUMBER	DESCRIPTION	NOTES
1	1	332297	60 ROCK GRAPPLE BUCKET W/A	
	1	332298	72 ROCK GRAPPLE BUCKET W/A	
	1	332299	84 ROCK GRAPPLE BUCKET W/A	
	1	501973	60 ROCK GRAPPLE BUCKET W/A	OBSLT AFTER 8/1/23
	1	501972	72 ROCK GRAPPLE BUCKET W/A	OBSLT AFTER 8/1/23
	1	501971	84 ROCK GRAPPLE BUCKET W/A	OBSLT AFTER 8/1/23
	1	501845	60 ROCK GRAPPLE BUCKET 1.25" W/A	OBSLT AFTER 6/8/21
	1	501836	72 ROCK GRAPPLE BUCKET 1.25" W/A	OBSLT AFTER 6/8/21
	1	501830	84 ROCK GRAPPLE BUCKET 1.25" W/A	OBSLT AFTER 6/8/21
2	2	332296	GRAPPLE ARM 1.00" H W/A	
	2	501970	GRAPPLE ARM 1.00" H W/A	OBSLT AFTER 8/1/23 USE 332296 FOR REPLACEMENT PARTS
	2	501822	GRAPPLE ARM 1.25" H W/A	OBSLT AFTER 6/8/21 USE 332295 FOR REPLACEMENT PARTS
3	2	331932	PAINTED 501979 WLDMNT CYL GUARD	
4	1	331933	BRKT HYD CVR 60"	
	1	501840	BRKT HYD CVR 72"	
	1	501819	BRKT HYD CVR 84"	
5	2	501850	BUSH .5 X .402 X 2.75	
6	2	502010	CYLINDER 2 X 8 B-B	
7	2	340161	PIN 1 X 3.25 W/A	
8	2	316466	PIN 1.00 X 3.75 W/A Z	
9	4	501987	PIN 1.00" X 1.75" 2.00" CAP W/A Z	
10	2	13117	BOLT HEX	
11	10	13105	BOLT HEX	
12	6	13210	BOLT HEX	INCLUDED IN KIT 312368
13	2	33008	WASHER FLAT	
14	12	33012	WASHER FLAT	INCLUDED IN KIT 312368
15	6	33626	WASHER SPLIT LOCK	INCLUDED IN KIT 312368
16	12	37212	NUT HEX 3/8 REV LOCK	
17	6	37214	NUT HEX 1/2 REV LOCK	INCLUDED IN KIT 312368
26	2	312343	PLATE SIDE PAINTED	OPT KIT 312368
27	1	312942	STRAP RUBBER 10 IN	
28	2	33004	WASHER FLAT	
29	1	37210	NUT HEX	
30	1	13011	BOLT HEX	

PARTS INFORMATION



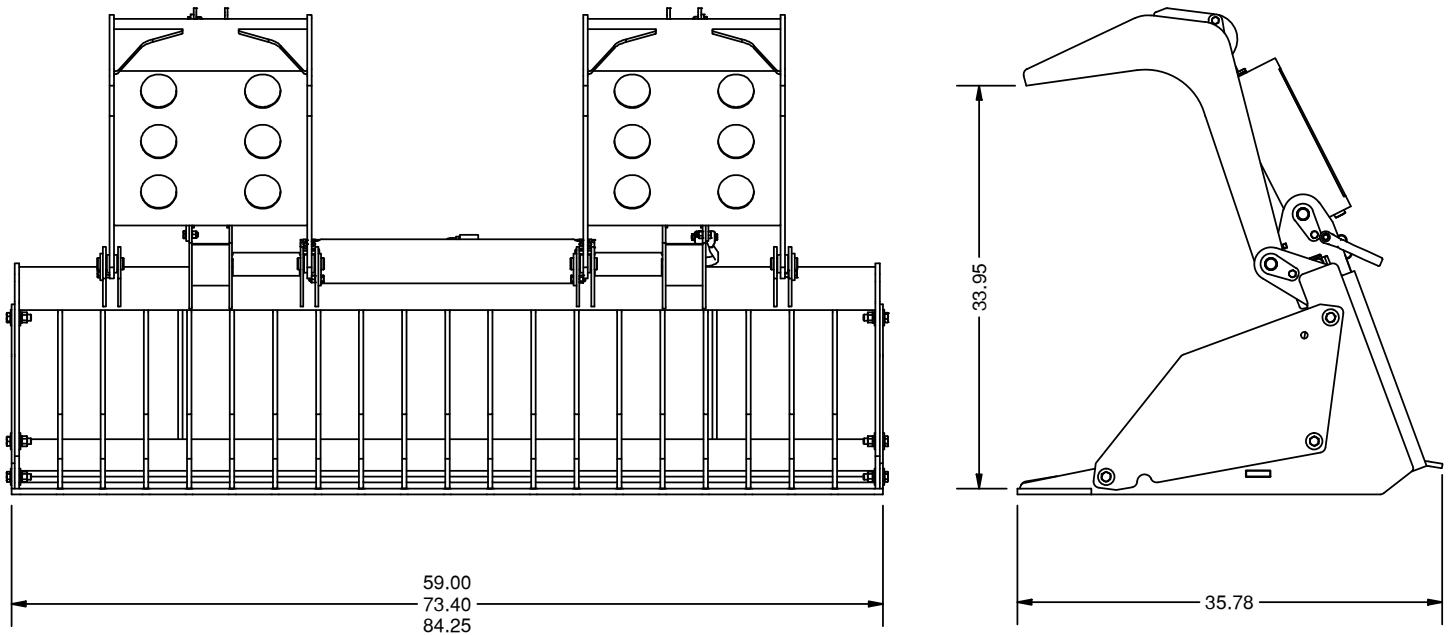
PARTS INFORMATION

ITEM	QTY	PART NUMBER	DESCRIPTION	NOTES
6	2	502010	CYLINDER 2 X 8 B-B	
18	2	330611	ADPT TEE 6MJ-6MJ-6MJ BULKHEAD DROP	
19	4	201539	ADPT ELB 6MB-6MJ-90	
20	2	502051	HOSE 1/4" X 26.5" 6FJX-6FJX	60" ONLY (BASE)
	2	502046	HOSE 1/4 X 30.5" 6FJX-6FJX	72" ONLY (BASE)
	2	502041	HOSE 1/4 X 33" 6FJX-6FJX	84" ONLY (BASE)
21	2	502041	HOSE 1/4" X 33" 6FJX-6FJX	60" ONLY (ROD)
	2	502047	HOSE 1/4 X 38.5" 6FJX-6FJX	72" ONLY (ROD)
	2	502042	HOSE 1/4 X 41" 6FJX-6FJX	84" ONLY (ROD)
22	2	501923	HOSE 3/8 X 80" 8FJX-6FJX-90	
23	2	201524	ADPT STR 12MB-8MJ	
24	1	320059	COUPLER HYD 1/2-12OR M FF CUP	
25	1	200258	COUPLER HYD 1/2-12OR FM FF	



GENERAL SPECS

MODEL	GRB-60 HD	GRB-72 HD	GRB-84 HD
PART No.	925044	925045	925046
SHIPPING WEIGHT (LBS)	615	670	725
OPERATING WEIGHT (LBS)	565	620	675
COLOR	BLACK	BLACK	BLACK
HITCH	UNIV SSL SAE	UNIV SSL SAE	UNIV SSL SAE
WORKING WIDTH	60"	72"	84"
MAX GRAPPLE OPENING	34"	34"	34"
MAX HYDRAULIC PRESSURE RATING	3000 PSI	3000 PSI	3000 PSI





LIMITED WARRANTY

Quick Attach Attachments, LLC warrants each new machine manufactured by us to be free from defects in material and workmanship for a period of twenty-four (24) months from date of delivery to the original purchaser.

Our obligation under this warranty is to replace free of charge, at our factory or Direct Outlet locations, any part proven defective within the stated warranty time limit.

All parts must be returned freight prepaid and adequately packaged to prevent damage in transit.

This warranty does not cover:

1. New products which have been operated in excess of rated capacities or negligence
2. Misuse, abuse, accidents or damage due to improperly routed hoses
3. Machines which have been altered, modified or repaired in any manner not authorized by our company
4. Previously owned equipment
5. Any ground engaging tools in which natural wear is involved, i.e. tooth tips, cutting teeth, etc
6. Normal maintenance
7. Fork tines
8. Hydraulic motors that have been disassembled in any manner

In no event will the Sales Representative, Direct Outlet, Quick Attach Attachments, LLC, or any other company affiliated with it or them be liable for incidental or consequential damages or injuries, including but not limited to the loss of profit, rental or substitute equipment or other commercial loss. Purchaser's sole and exclusive remedy being as provided here in above.

Quick Attach Attachments, LLC must receive immediate notification of defect and no allowance will be made for repairs without our consent or approval.

This warranty is in lieu of all other warranties, express or implied by law or otherwise, and there is no warranty of merchantability or fitness purpose.

No agent, employee, or representative of Quick Attach Attachments, LLC has any authority to bind Quick Attach Attachments, LLC to any warranty except as specifically set forth herein. Any of these limitations excluded by local law shall be deemed deleted from this warranty; all other terms apply.

This warranty may not be enlarged or modified in any manner except in writing signed by an executive officer of Quick Attach Attachments, LLC to improve its products whenever it is possible and practical to do so. Quick Attach Attachments, LLC reserves the right to make changes and or add improvements at any time without incurring any obligation to make such changes or add such improvements to products previously sold.

Quick Attach Attachments, LLC
P.O. Box 128 Alexandria, MN 56308
Phone (320) 759-1551
Fax (320) 759-1590

